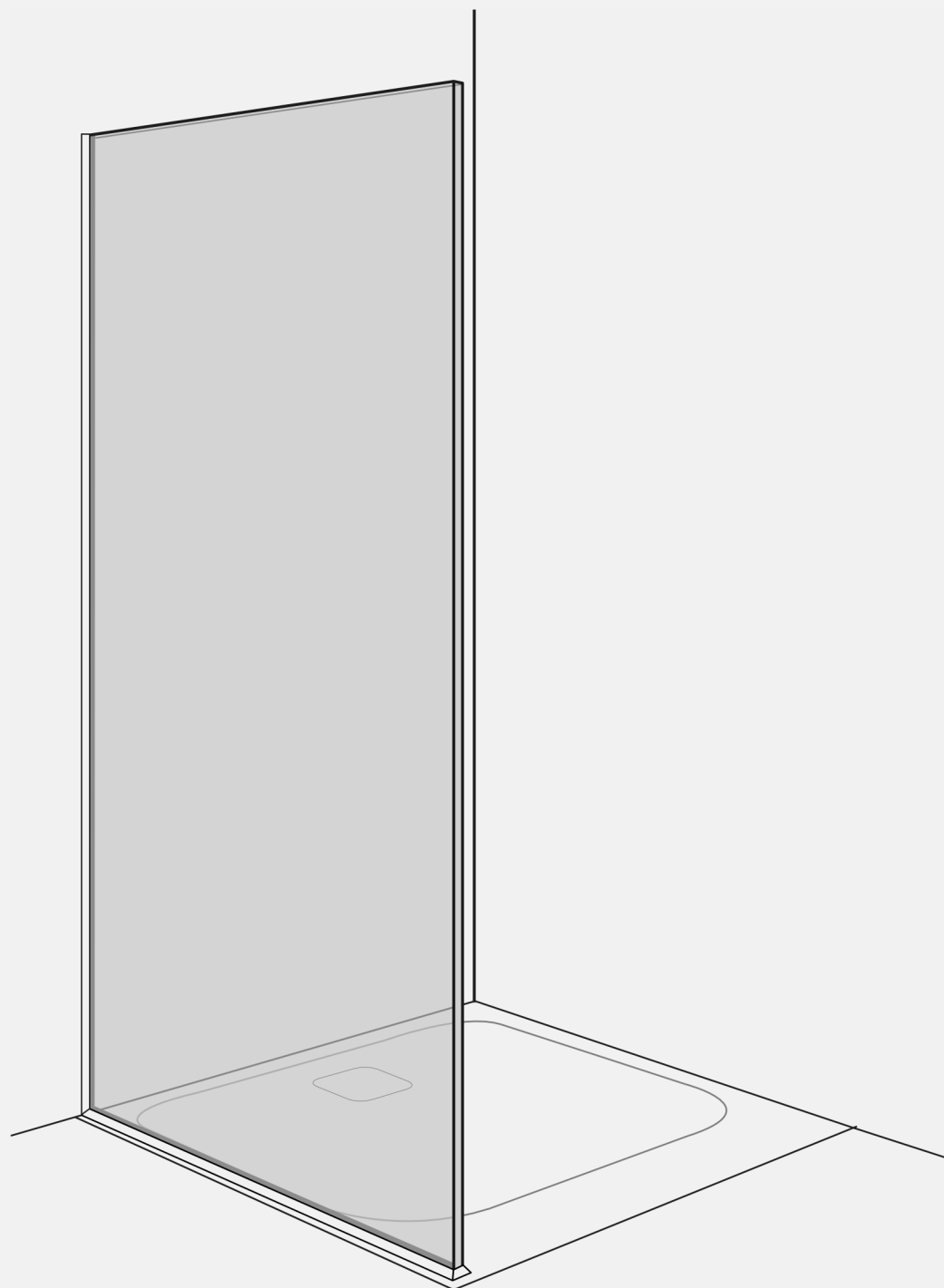





















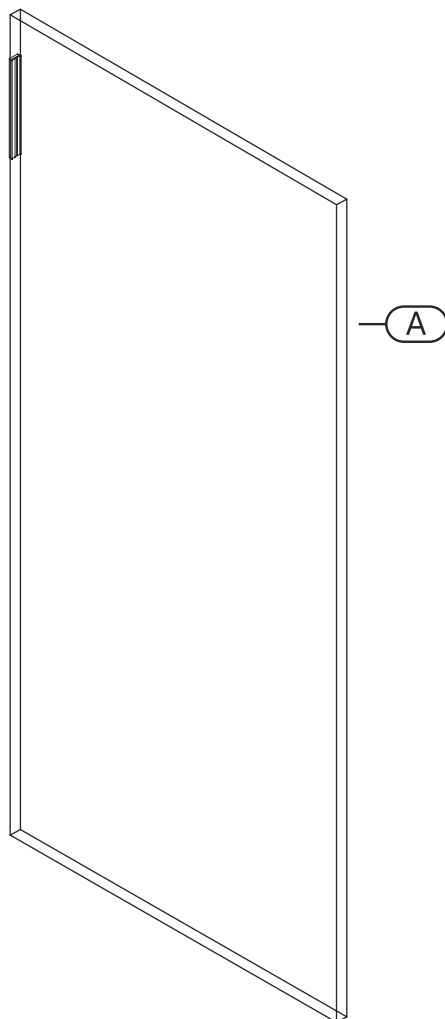
# Air 3






Silikonfarben | Silicone Colours | Couleurs silicone | Colori del silicone

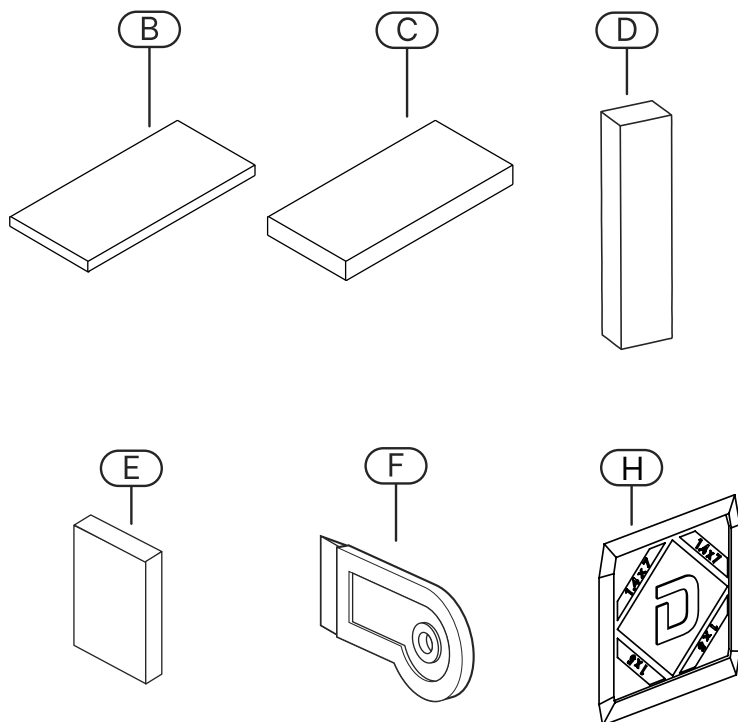
- |                                                                                                                                                                |                                                                                                                                                                        |
|----------------------------------------------------------------------------------------------------------------------------------------------------------------|------------------------------------------------------------------------------------------------------------------------------------------------------------------------|
|  Weiss / White<br>Blanc / Bianco<br>711102.001                                |  Basalt / Basalt<br>Basalt / Basalt<br>711102.256                                     |
|  Jasmin / Jasmin<br>Jasmin / Jasmin<br>711102.002                             |  Dunkelgrau / Dark grey<br>Gris foncé / Grigio scuro<br>711102.257                    |
|  Bahama / Bahama<br>Bahama / Bahama<br>711102.005                             |  Schiefergrau / Slate Grey<br>Gris ardoise / Grigio Ardesia<br>711102.269             |
|  Grau / Grey (Manhattan)<br>Gris / Grigio<br>711102.030                       |  Aluminium / Aluminium<br>Alluminio / Alluminio<br>711102.270                         |
|  Schwarz / Black<br>Noir / Nero<br>711102.076                                 |  Edelstahl / Stainless steel<br>Acier inoxydable / Acciaio inossidabile<br>711102.271 |
|  Braun / Brown<br>Brun / Marrone<br>711102.181                                |  Kirsch / Cherry<br>Cérisse / Ciliegia<br>711102.272                                  |
|  Anthrazit / Anthracite<br>Antracite / Antracite<br>711102.217                |  Eiche hell / Light oak<br>Chêne clair / Rovere chiaro<br>711102.273                  |
|  Beige / Beige<br>Beige / Beige<br>711102.238                                |  Eiche dunkel / Dark oak<br>Chêne foncé / Rovere scuro<br>711102.274                 |
|  Hellgrau / Light Grey<br>Gris clair / Grigio chiaro<br>711102.242          |  Doussie / Doussie<br>Doussie / Doussie<br>711102.275                               |
|  Betongrau / Concrete grey<br>Grigio-cemento / Grigio cemento<br>711102.243 |                                                                                                                                                                        |



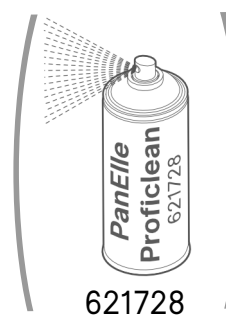
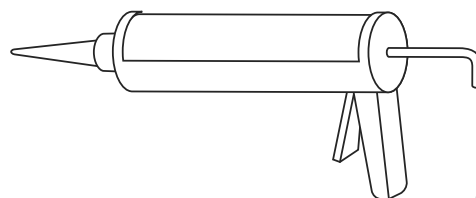
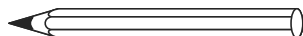
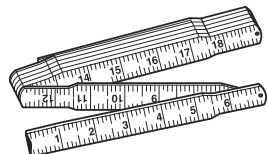
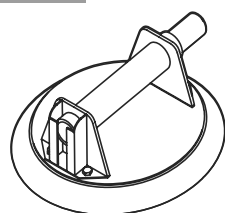
A	1x	476.195400 476.205400
	1x	752870
G	2x	



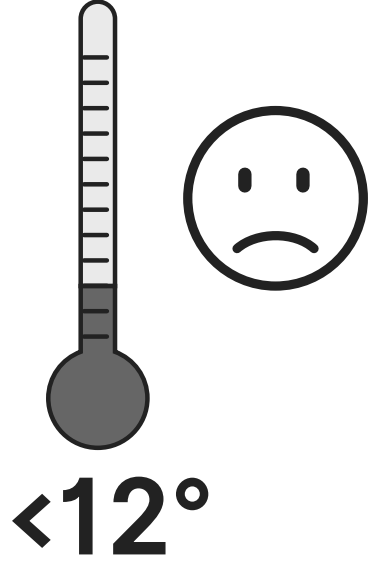
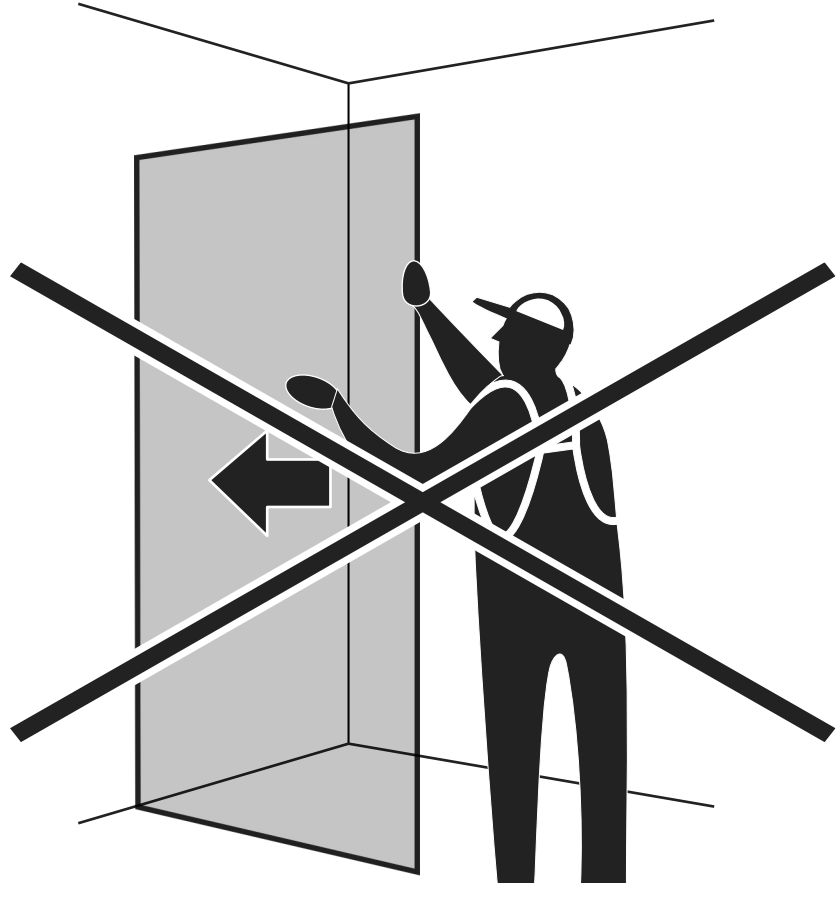
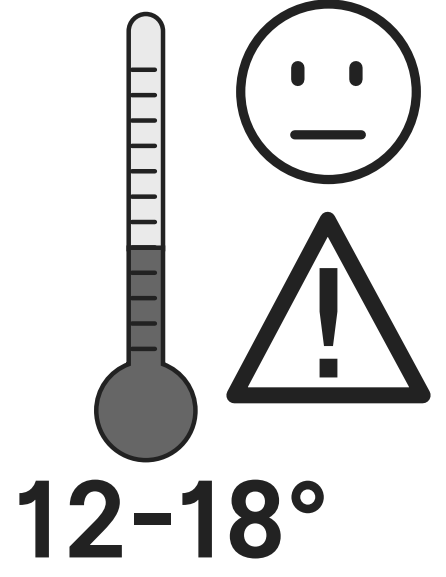
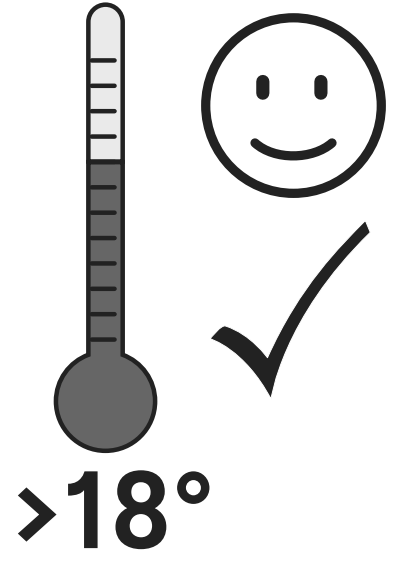
752870



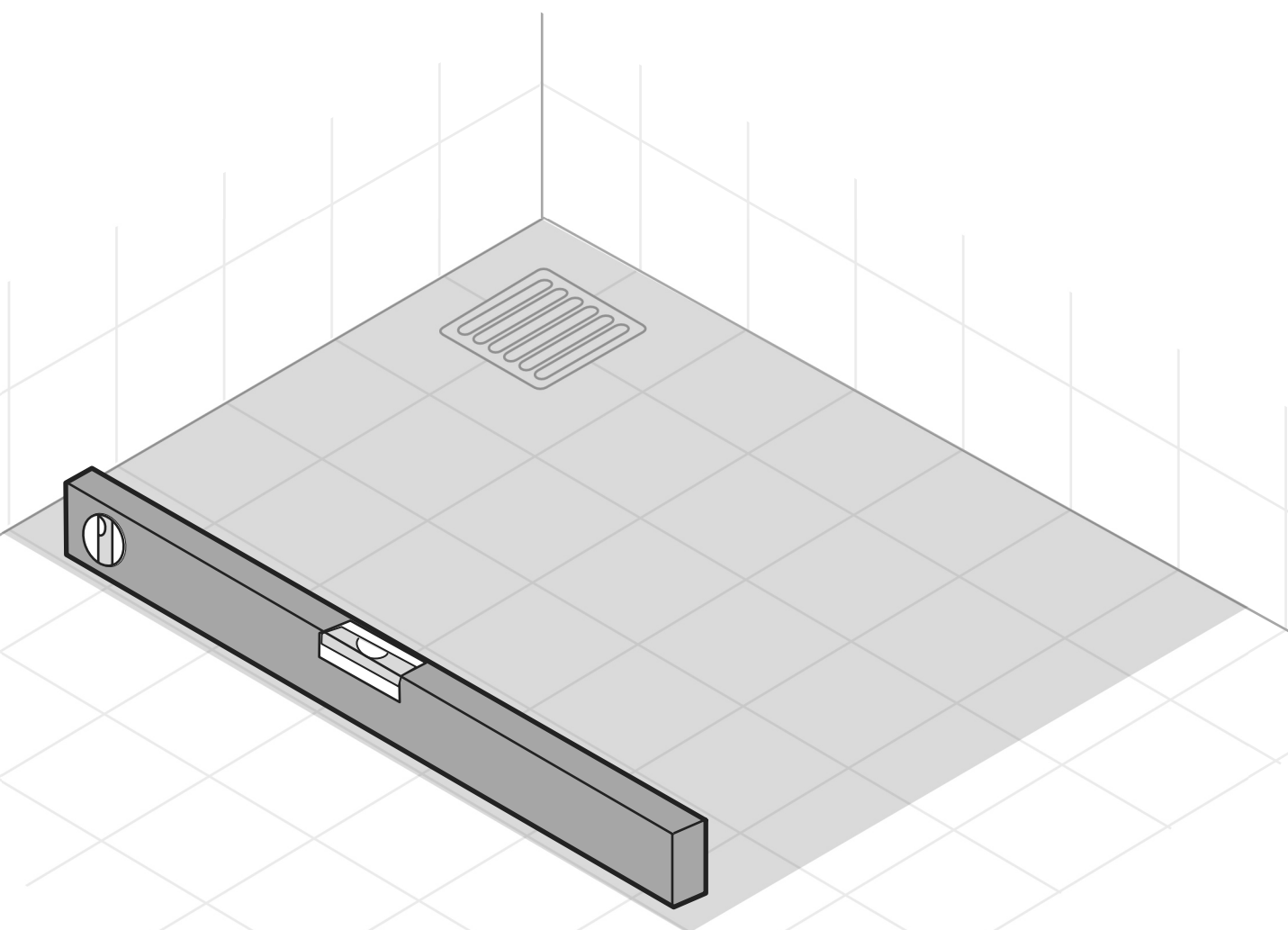
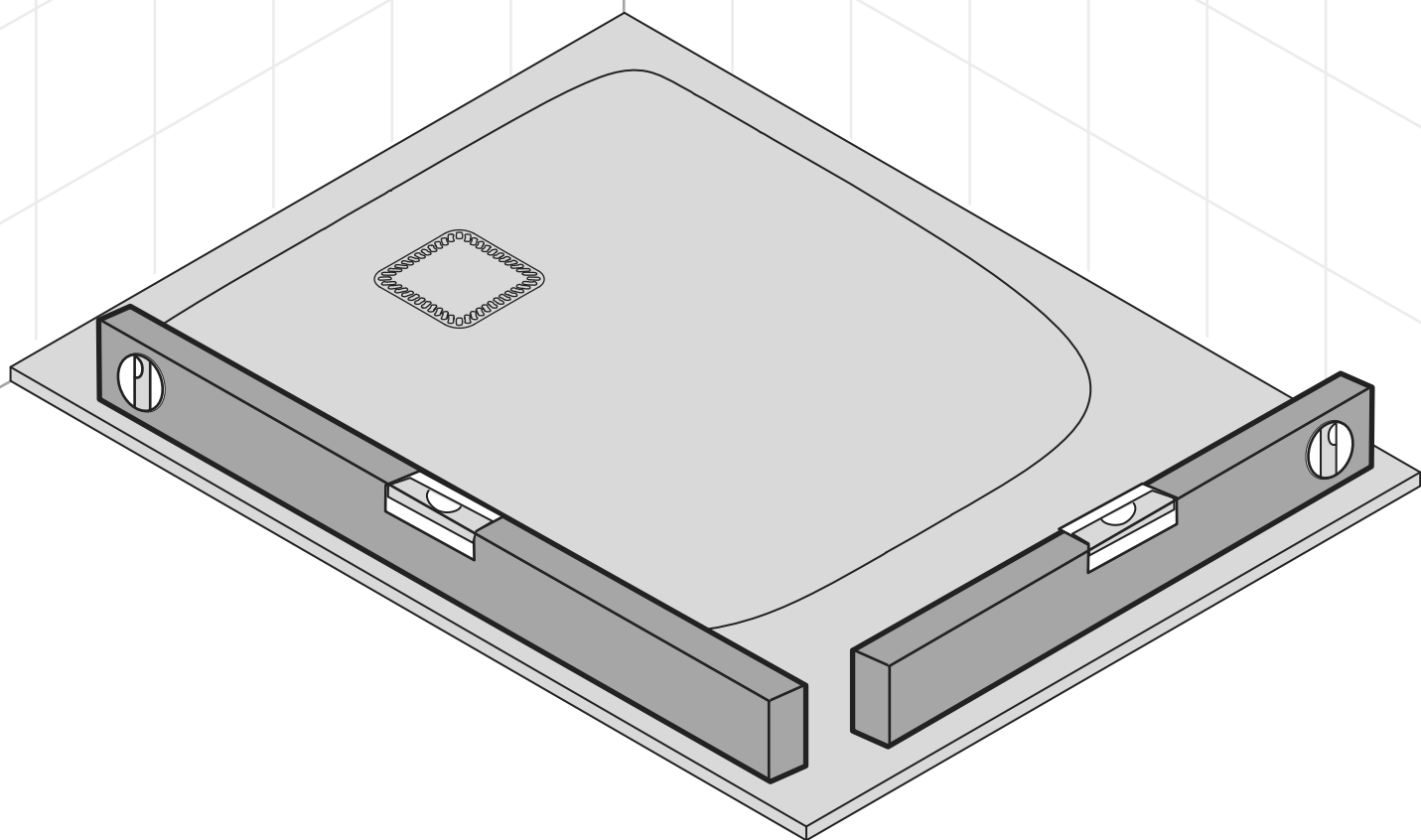
B	3x	2mm	301434
C	2x	3mm	301435
D	8x		403186
E	1x		271690
F	1x		220323
H	1x		204457



621728



2

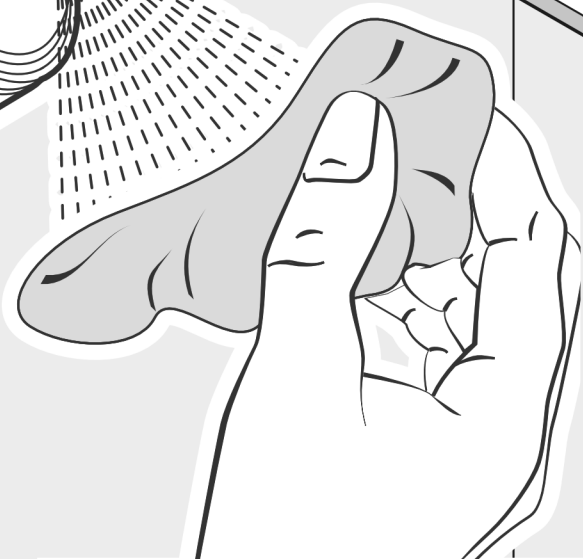
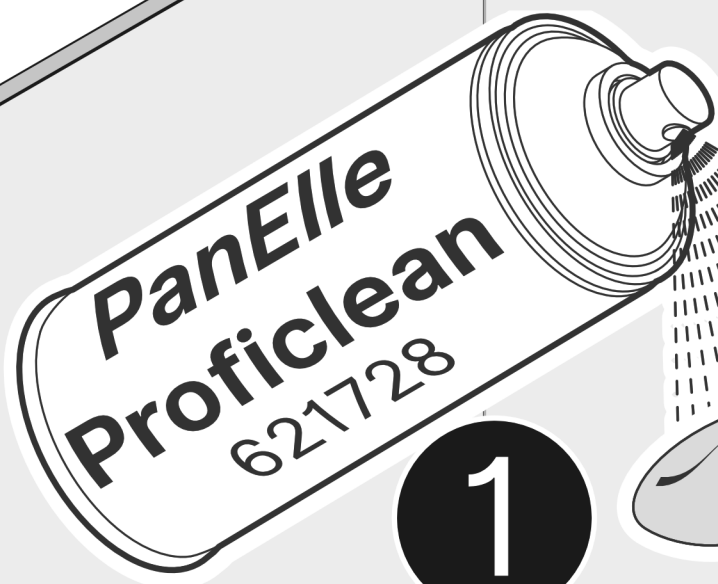




Entfetten  
degrease  
dégraisser  
sgrassare  
ontvetten  
desengrasar  
odmastit  
odmastit'  
odtłuszczyć  
avfette  
обезжирить



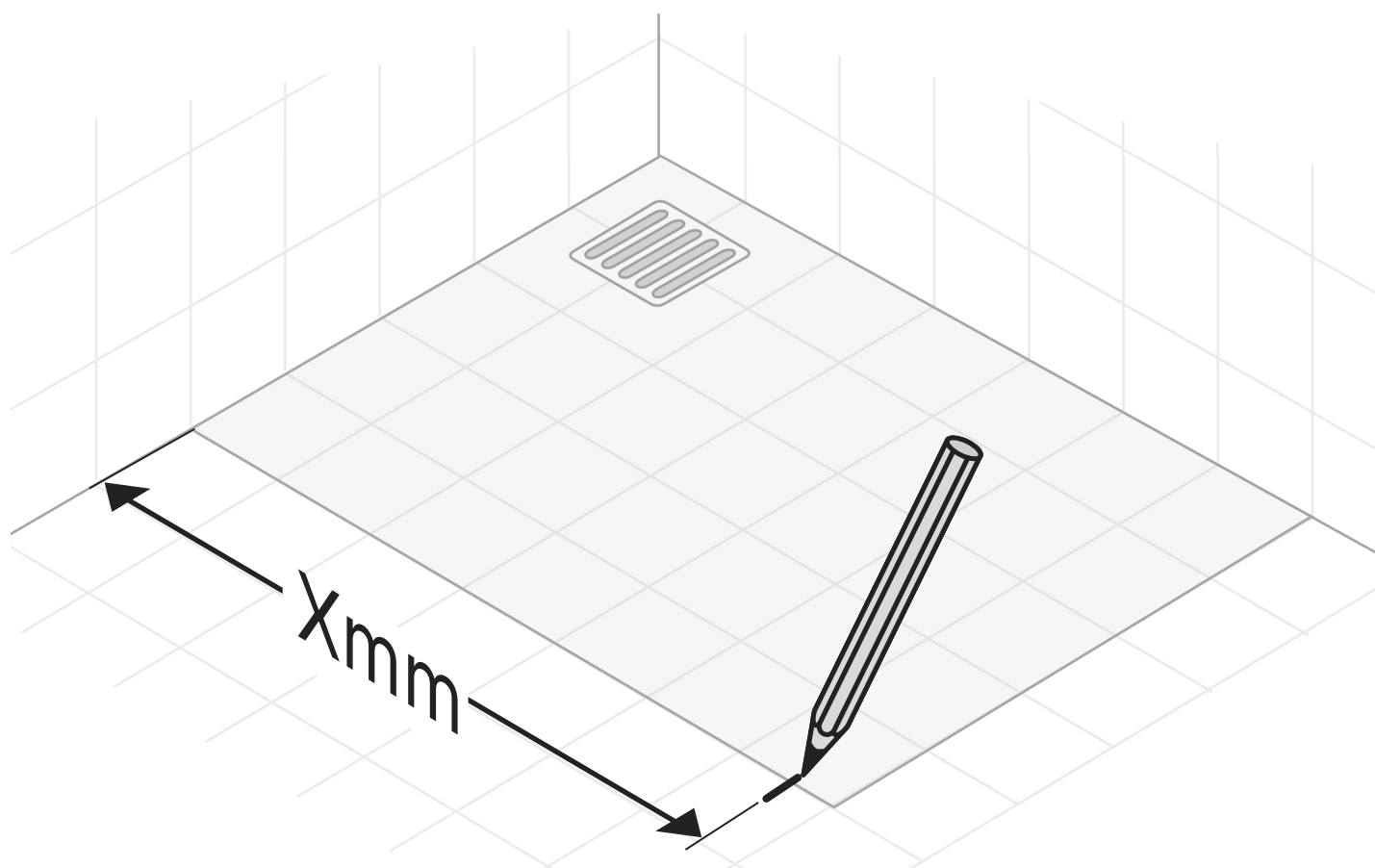
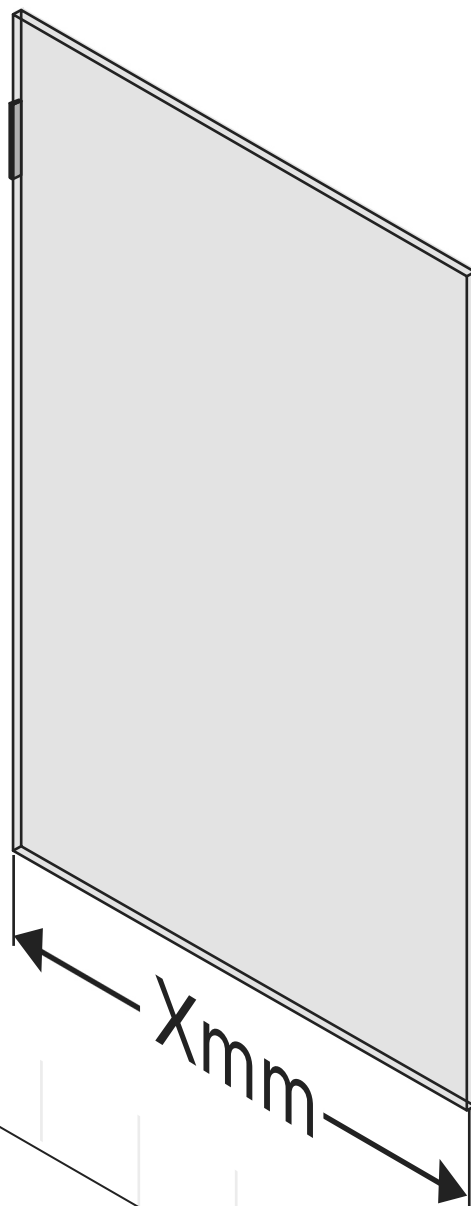
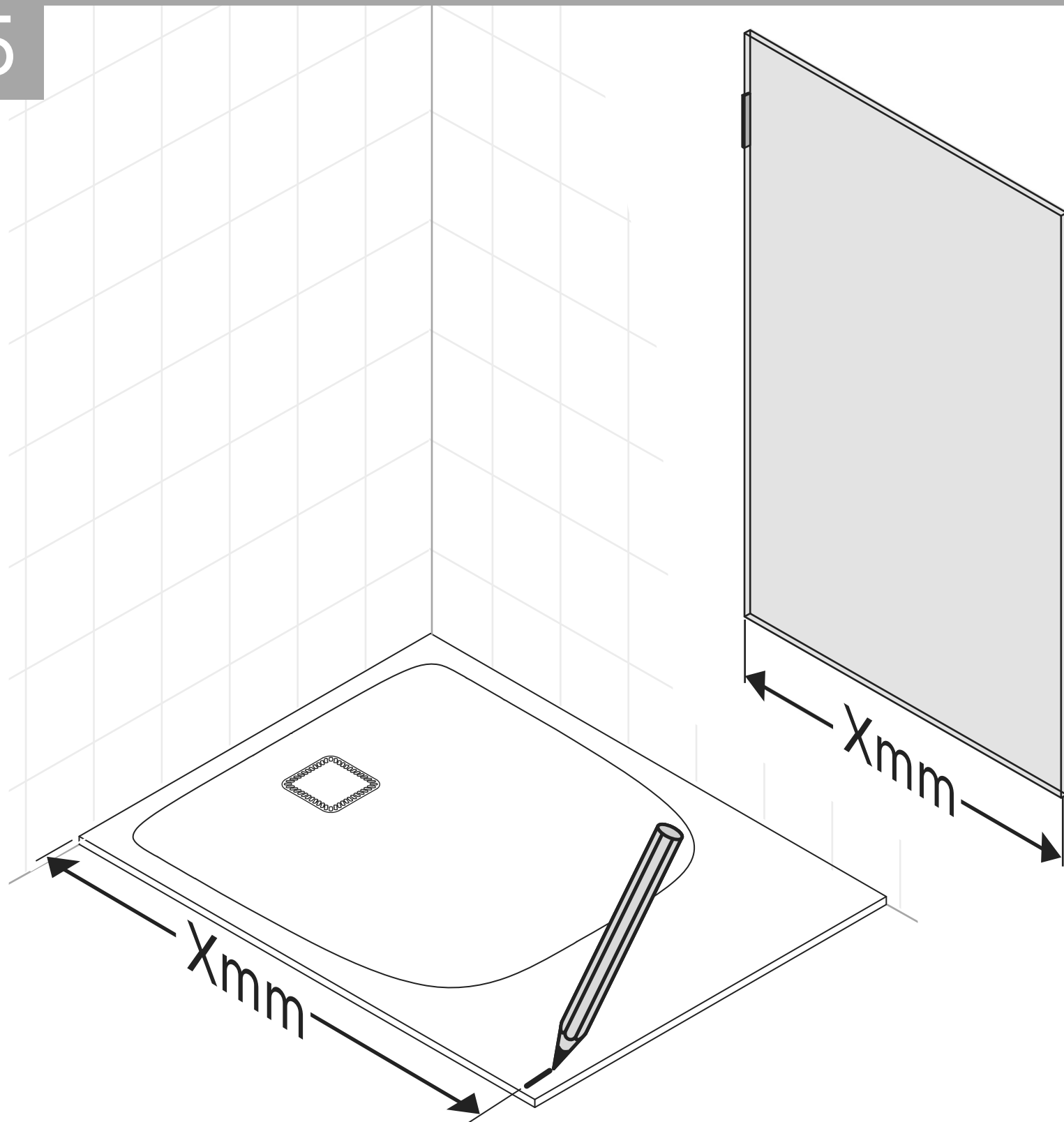
# PanElle

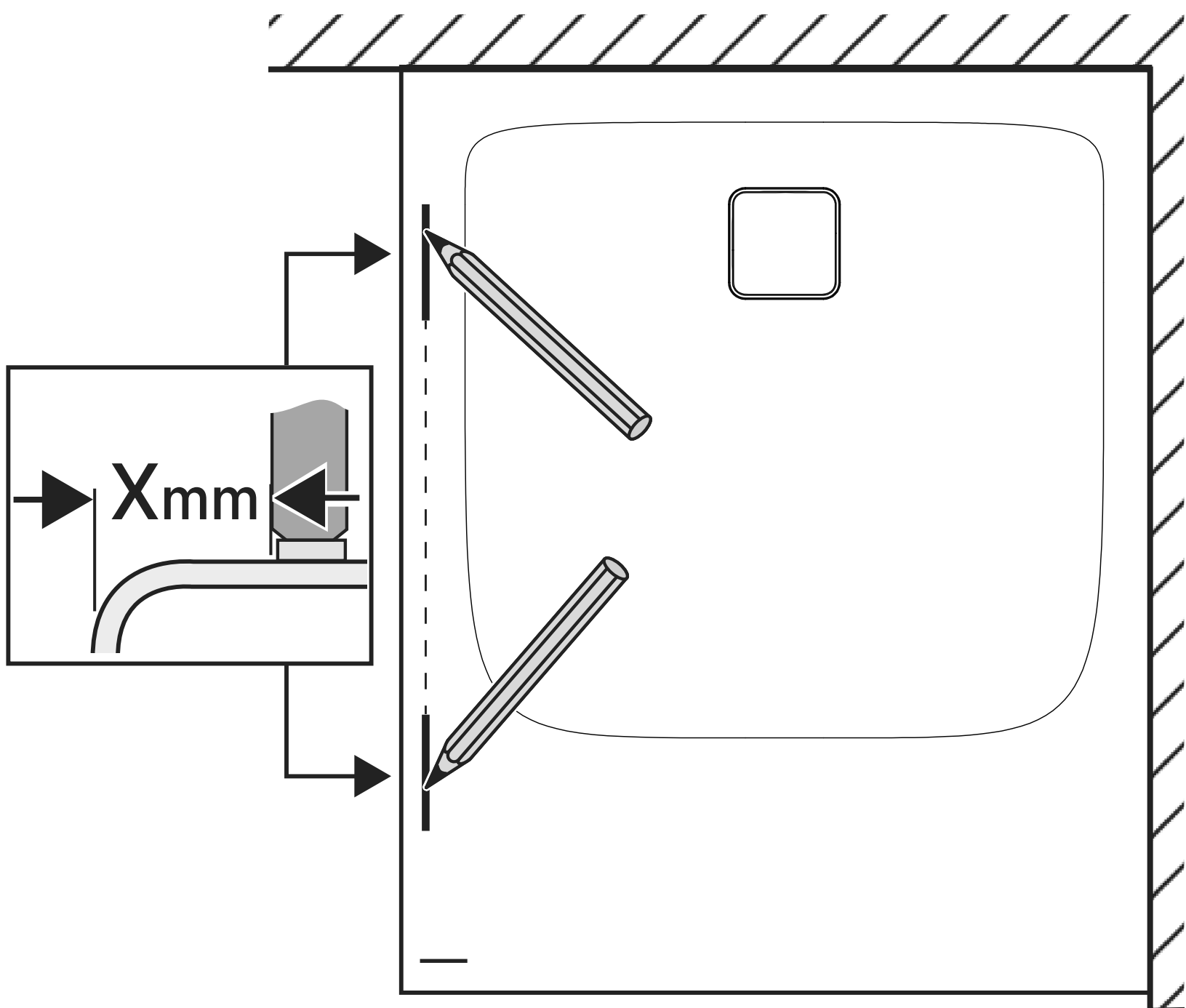


Entfetten  
degrease  
dégraisser  
sgrassare  
ontvetten  
desengrasar  
odmastit  
odmastiť  
odtłuścić  
avfette  
обезжирить

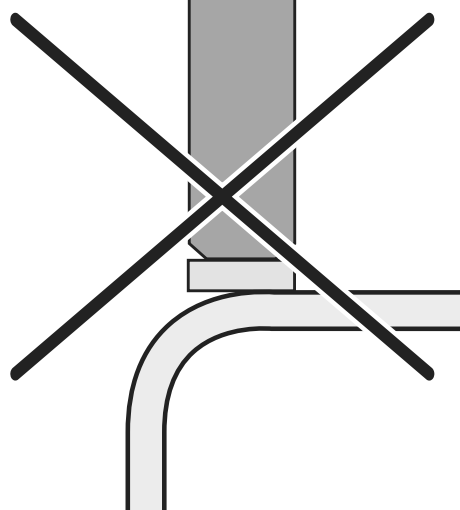
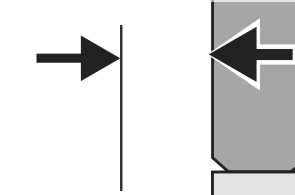


5

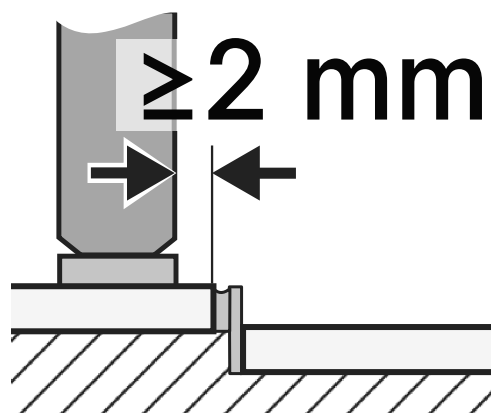
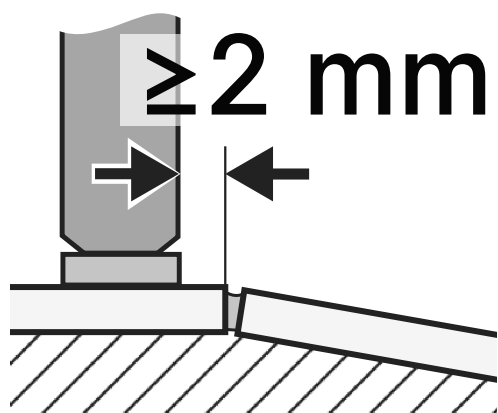
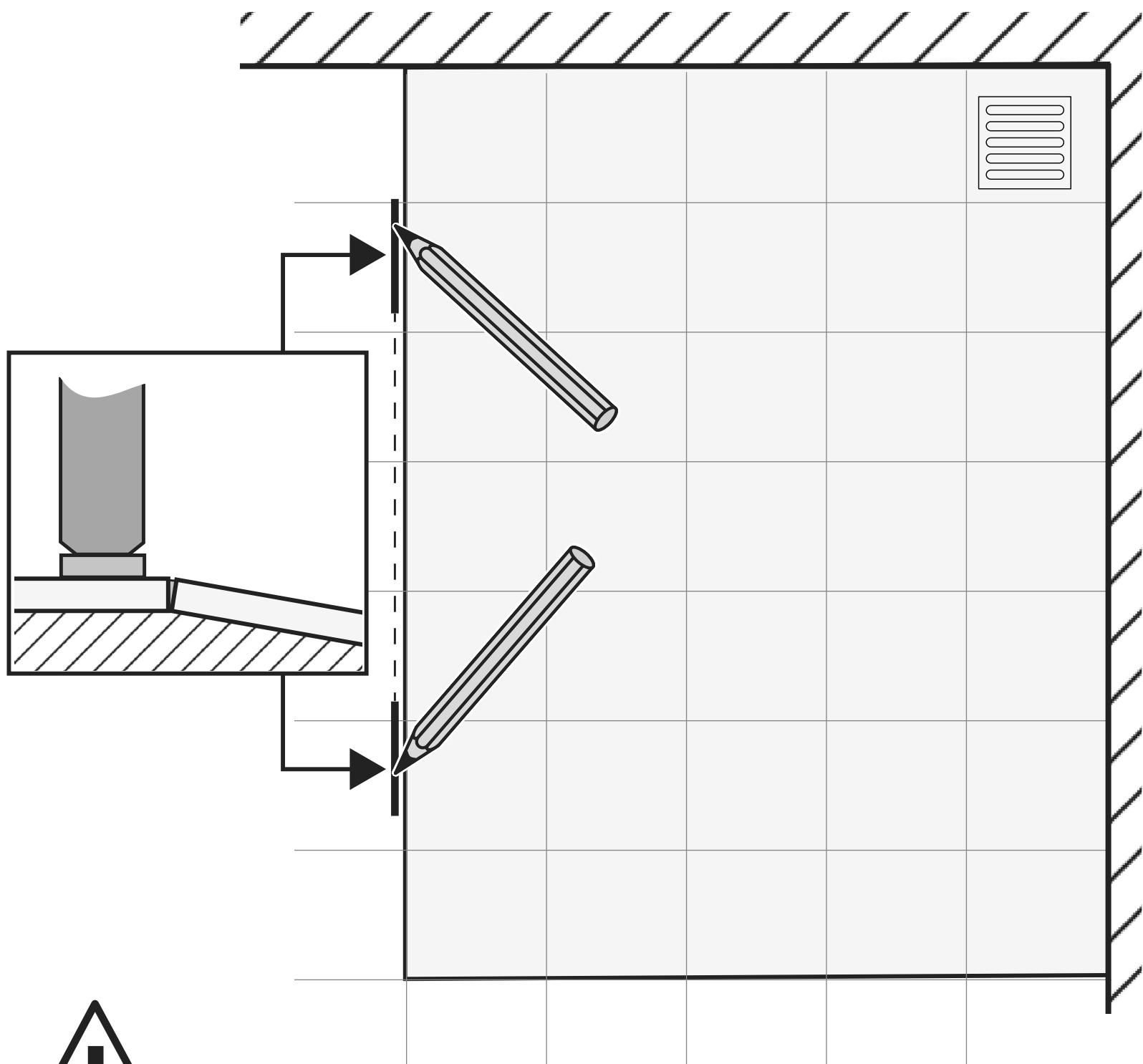


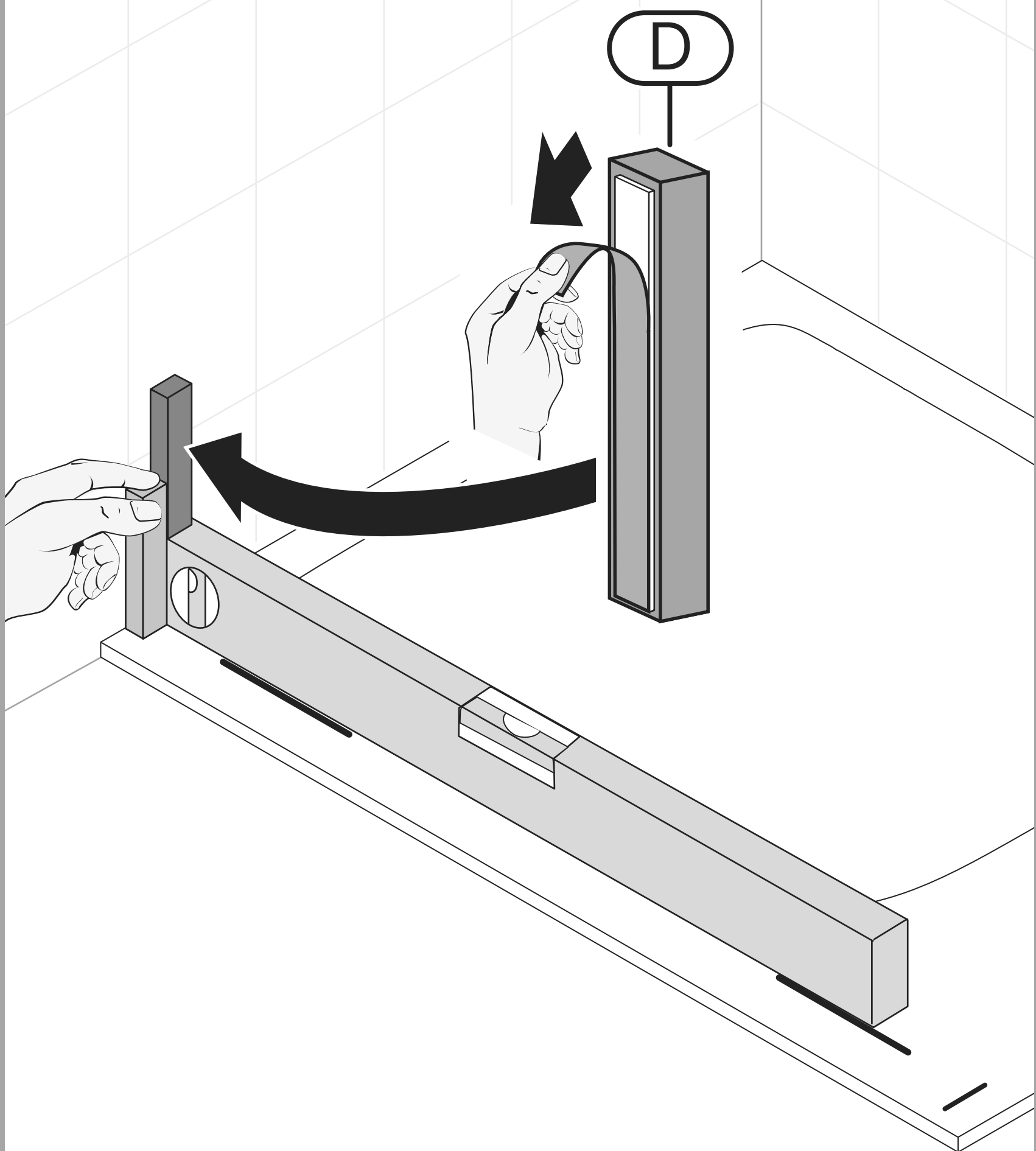


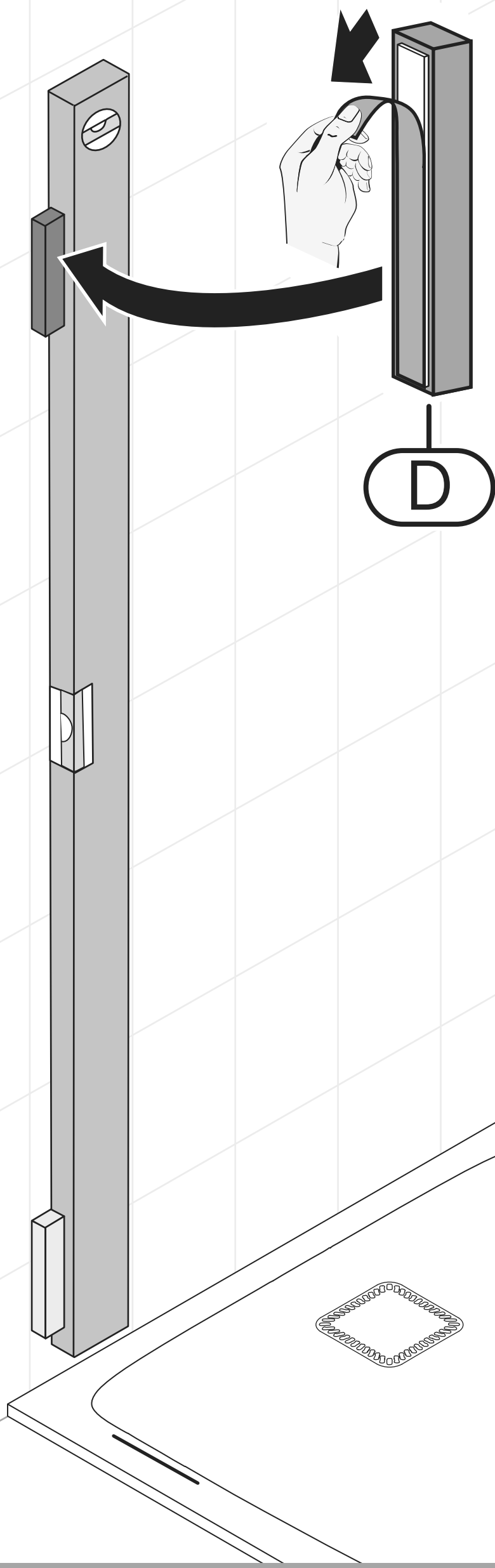
$\geq 3\text{ mm}$

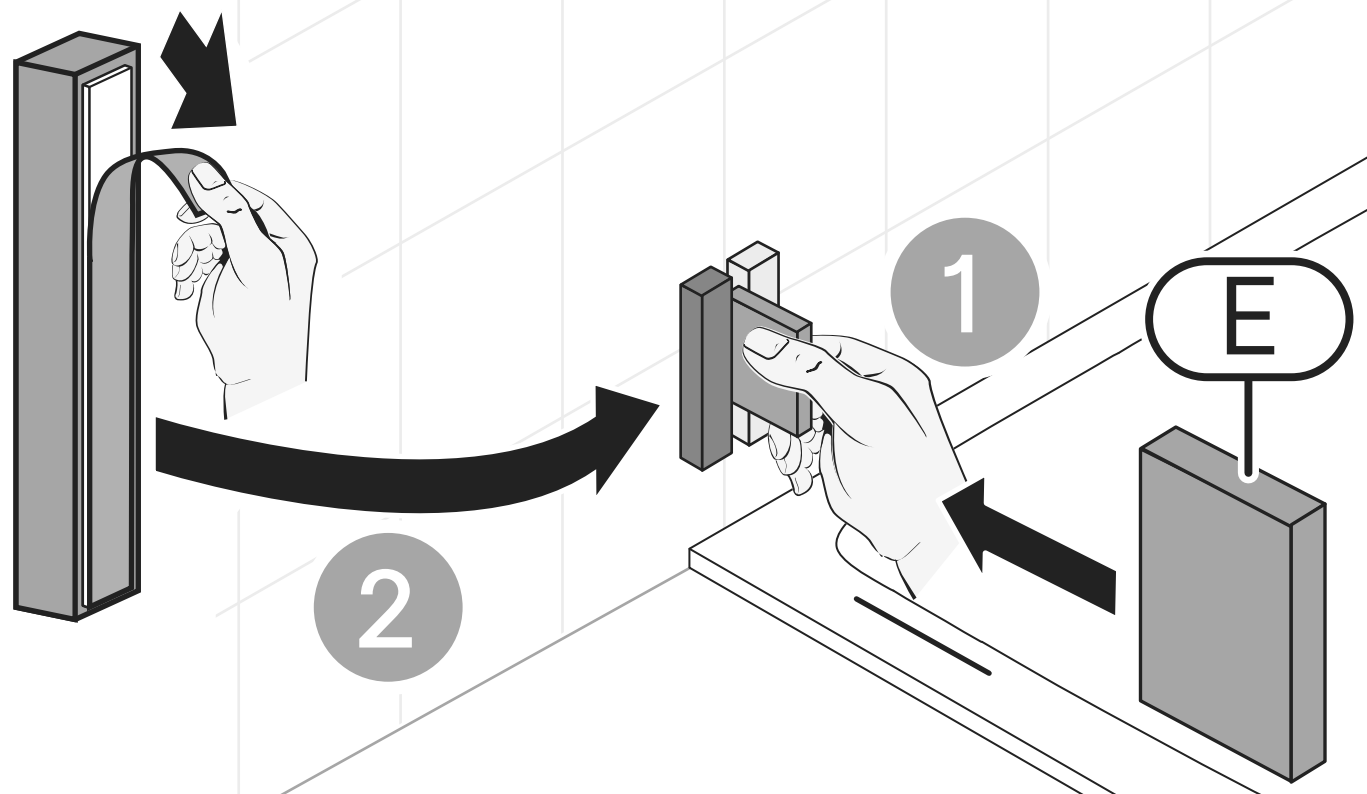
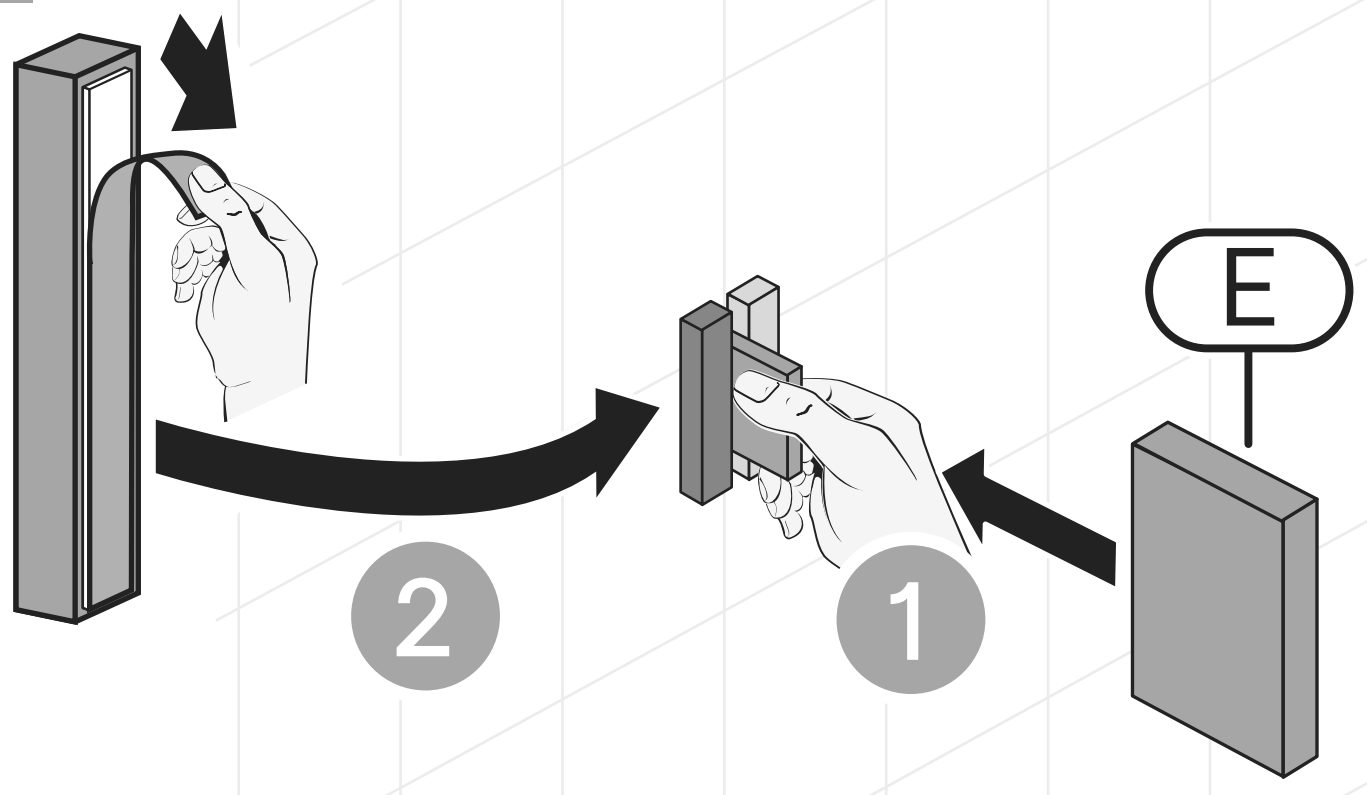


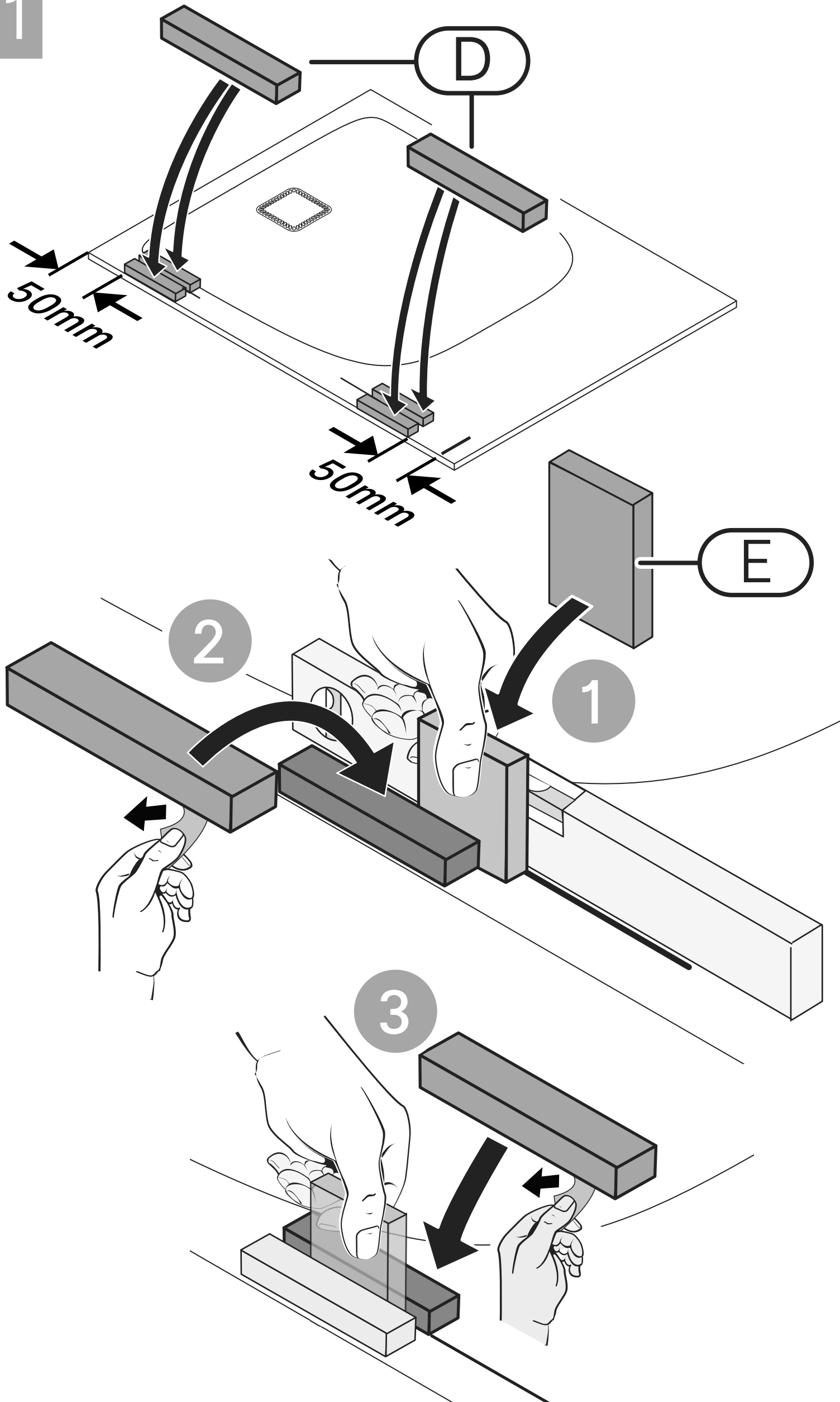


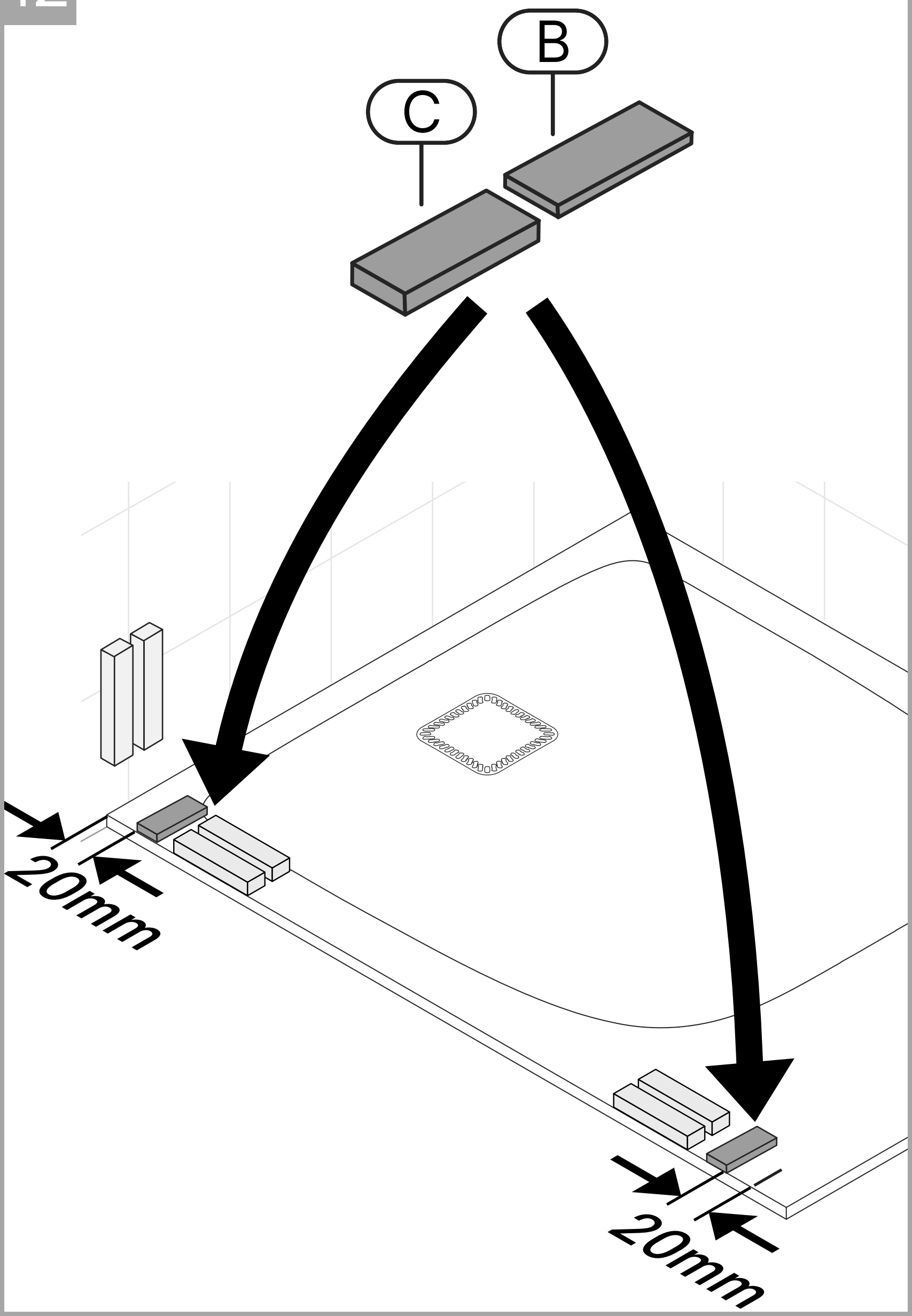


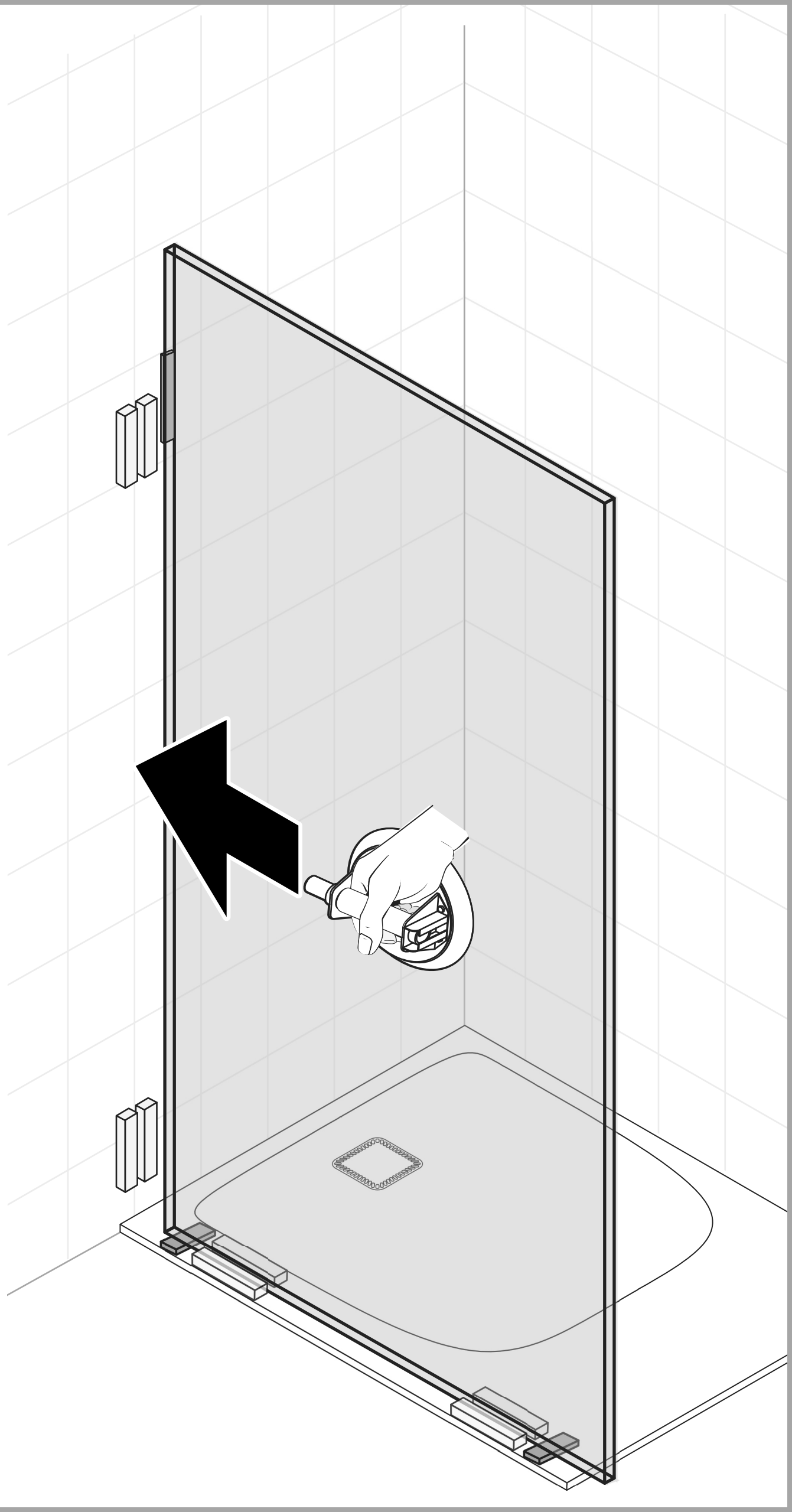


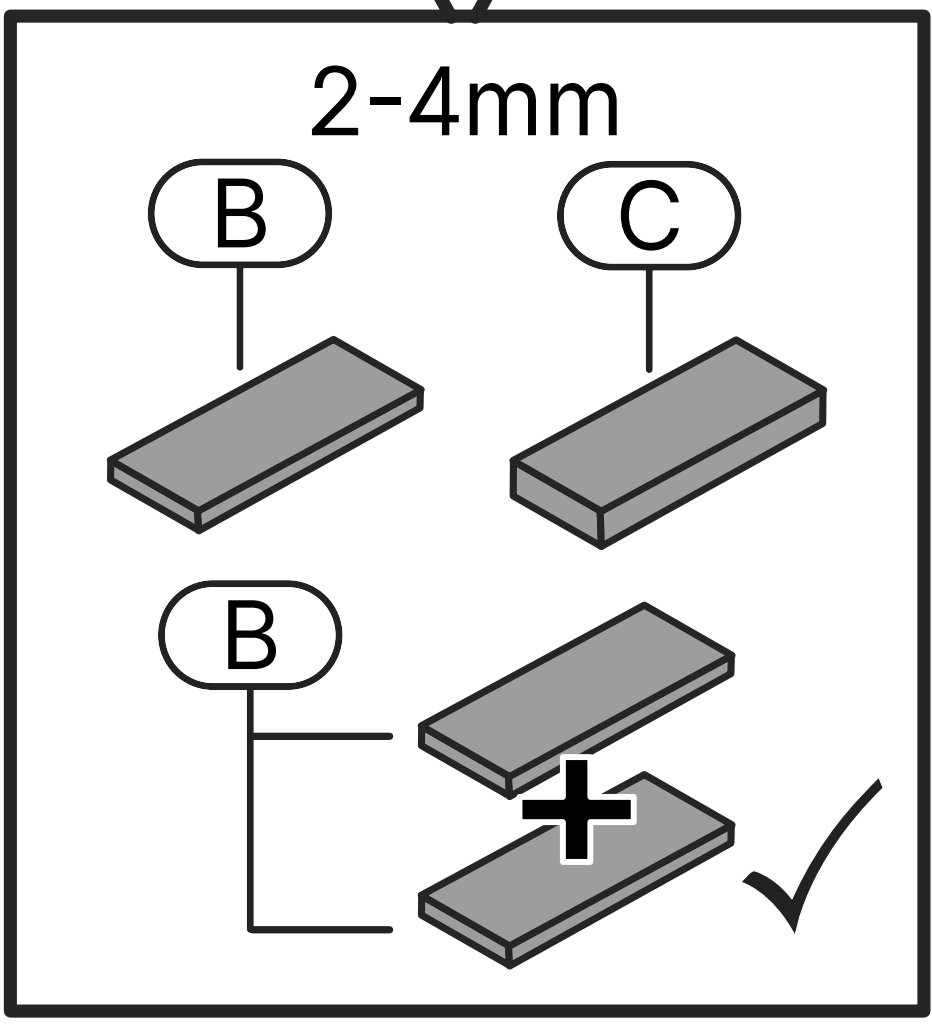
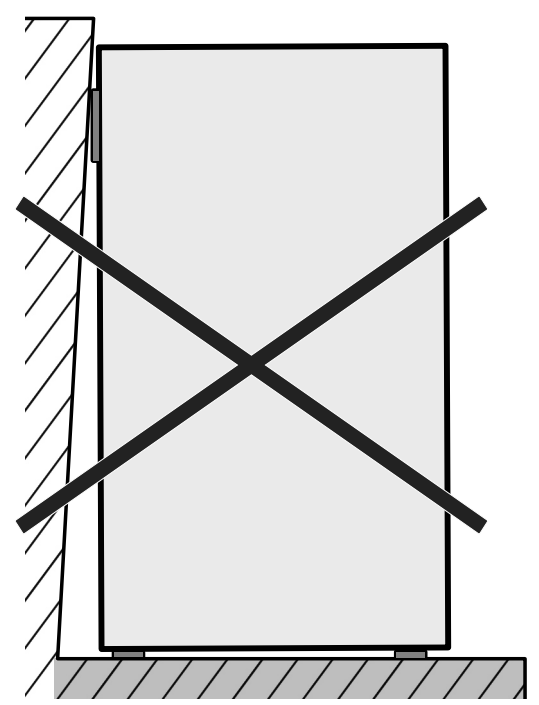
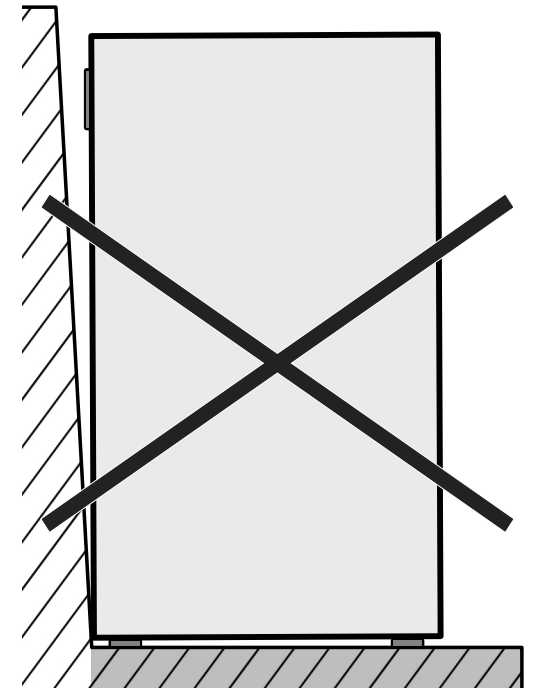
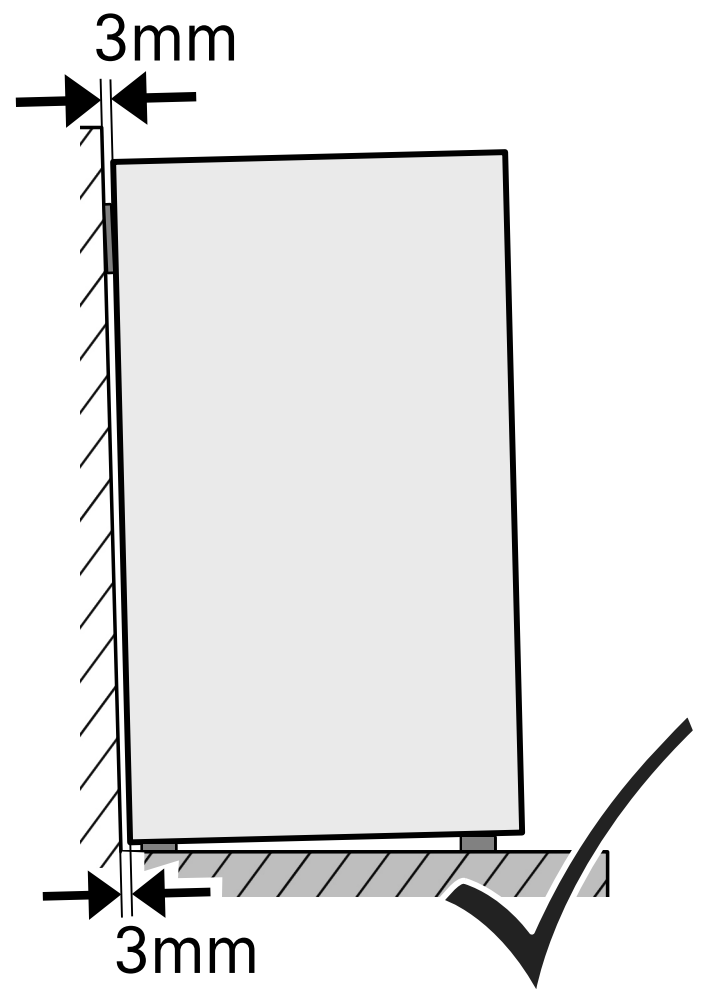
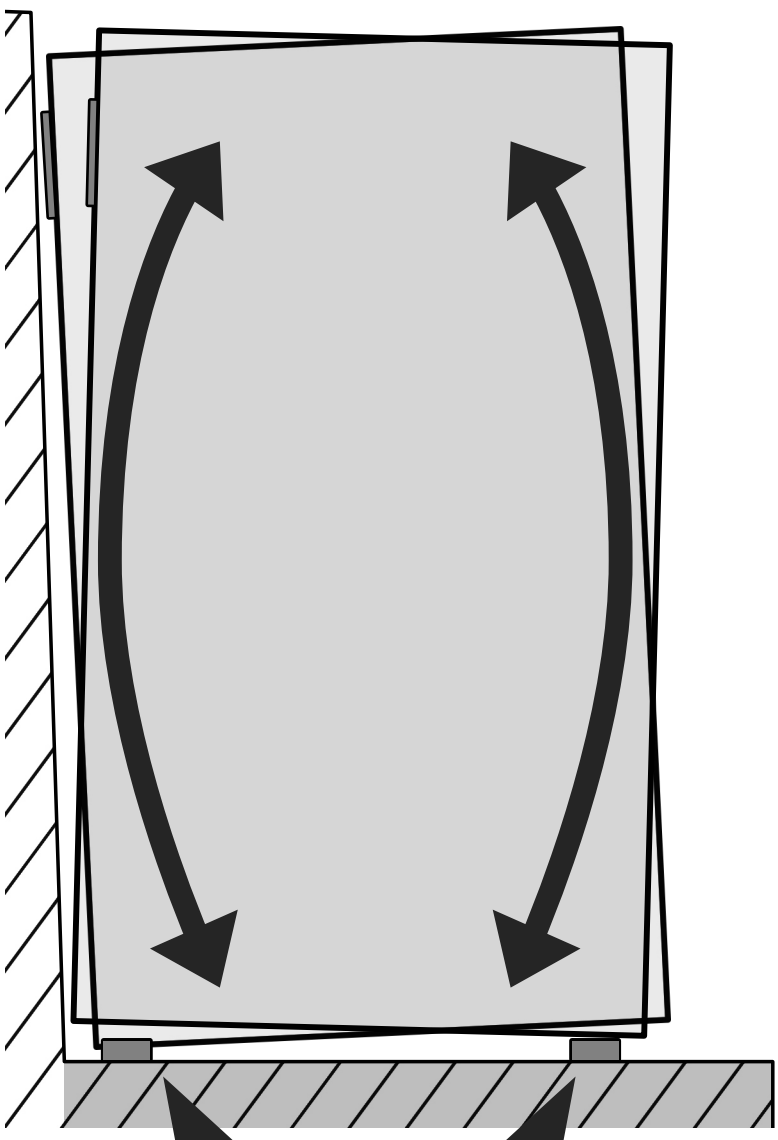




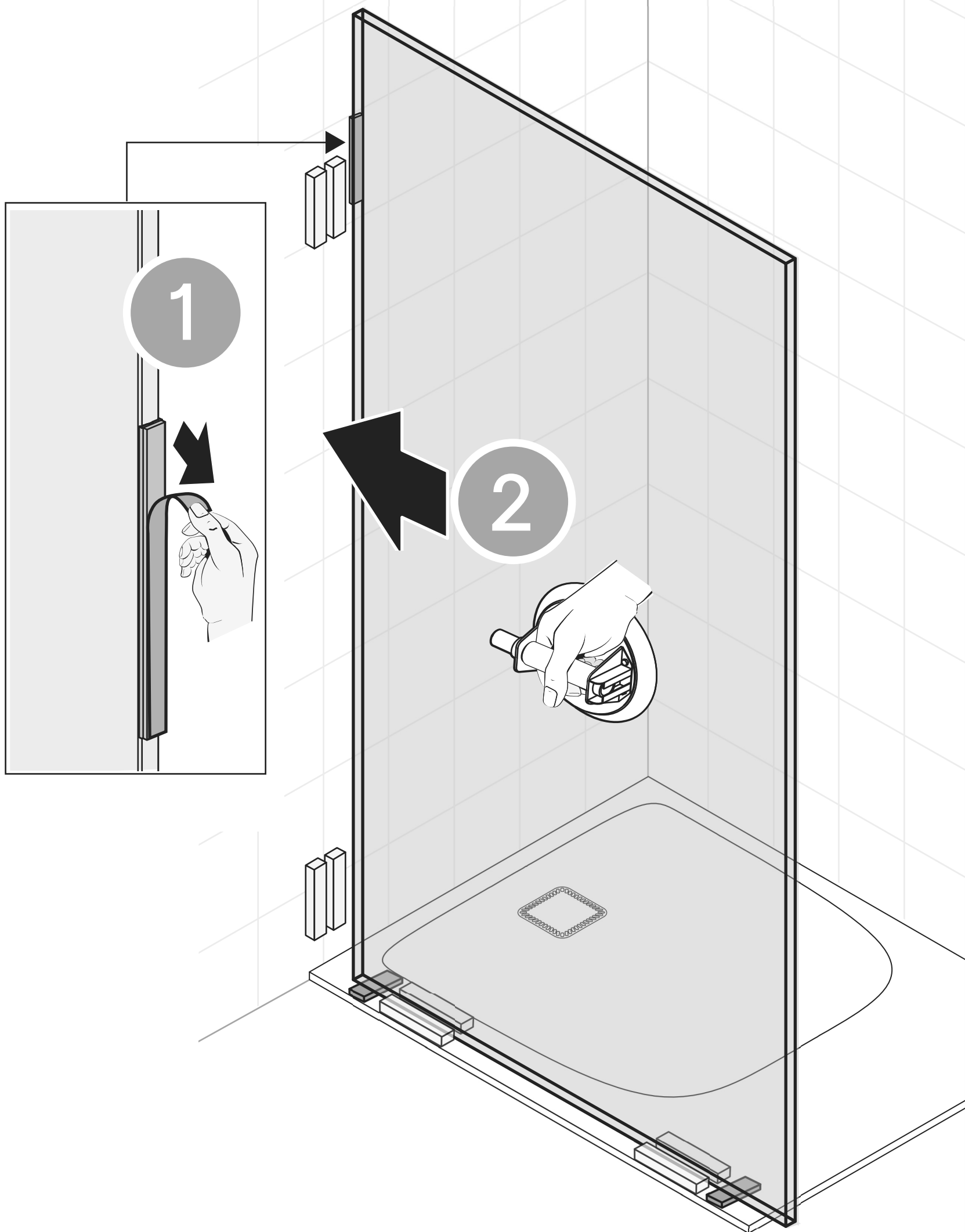


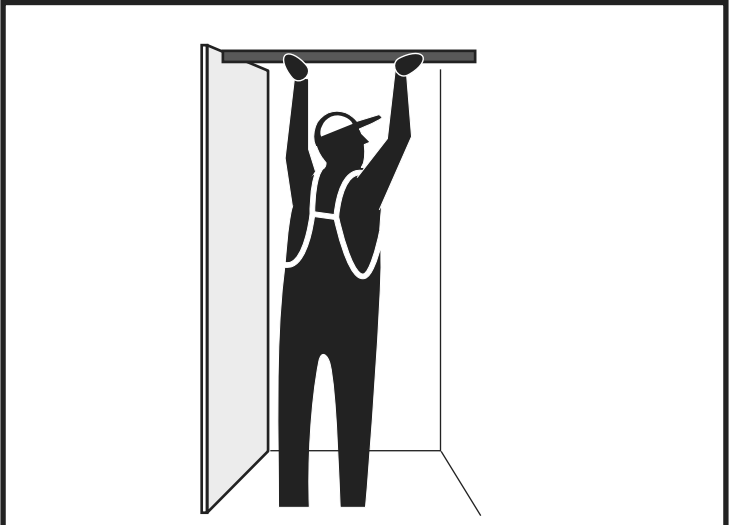
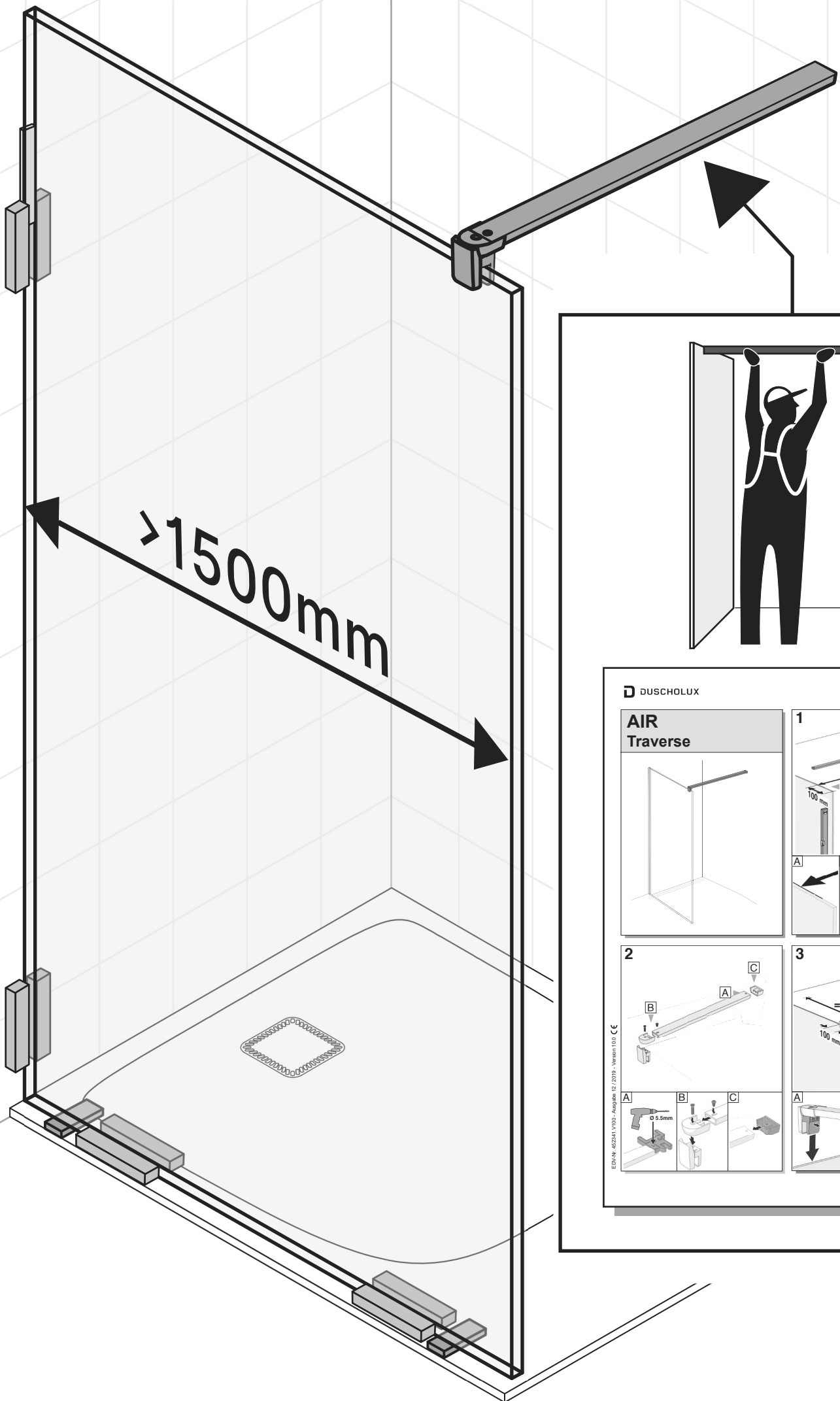












**DUSCHOLUX**

**AIR Traverse**

**1**

X mm

100 mm

A B

X-15mm

**2**

A B C

$\varnothing 5.5\text{mm}$

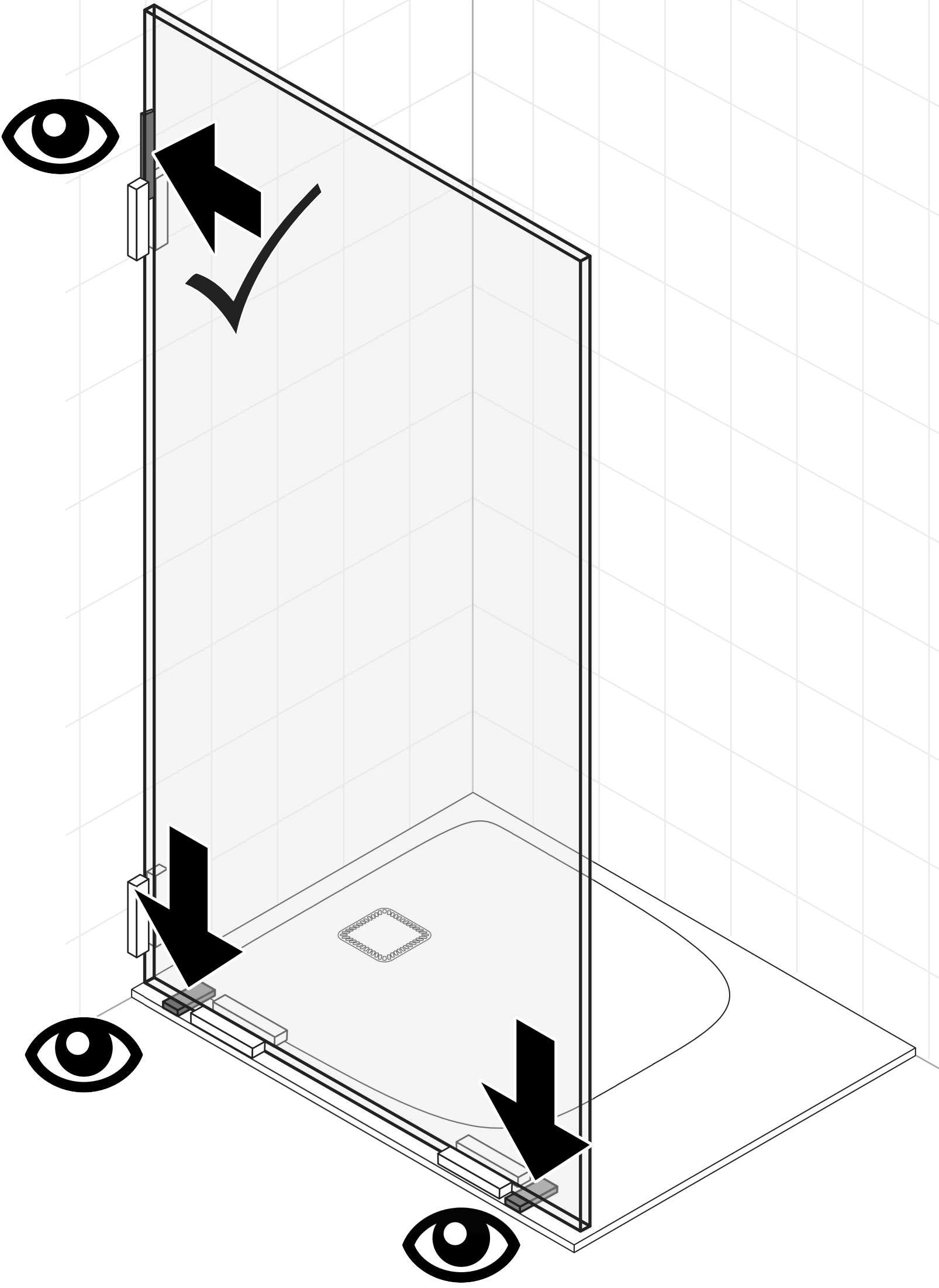
**3**

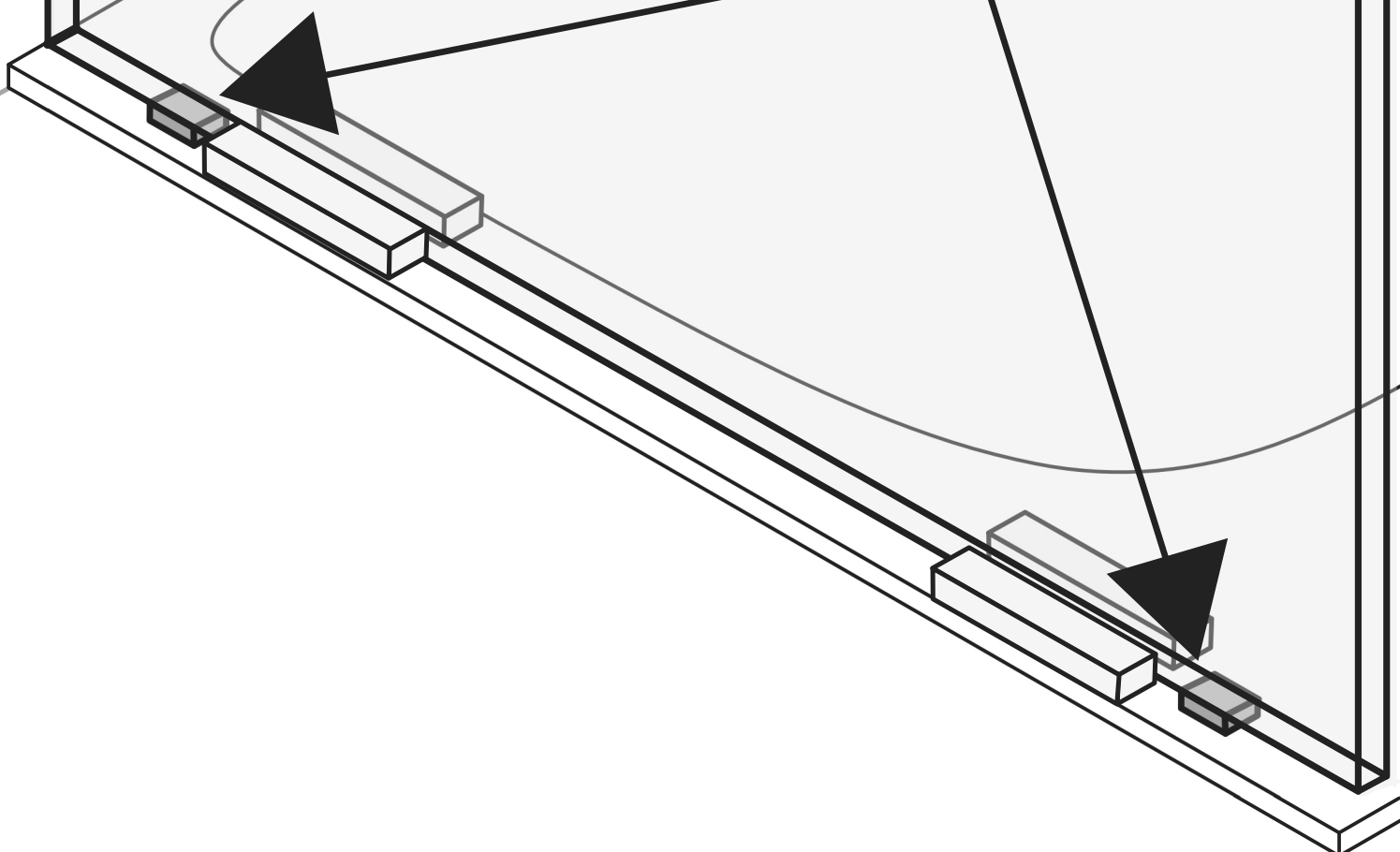
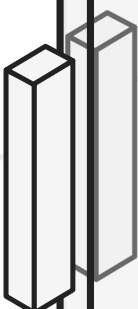
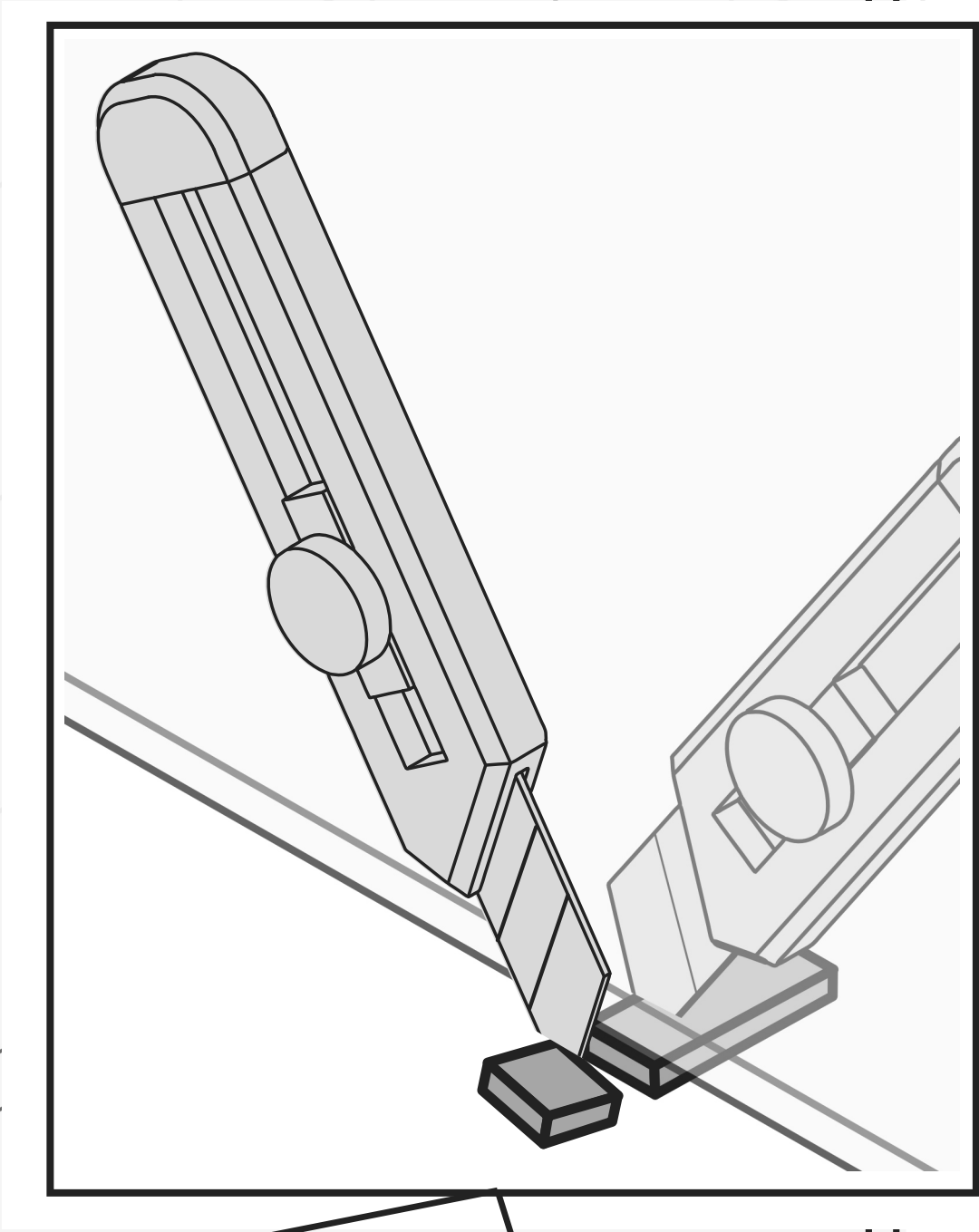
A B C

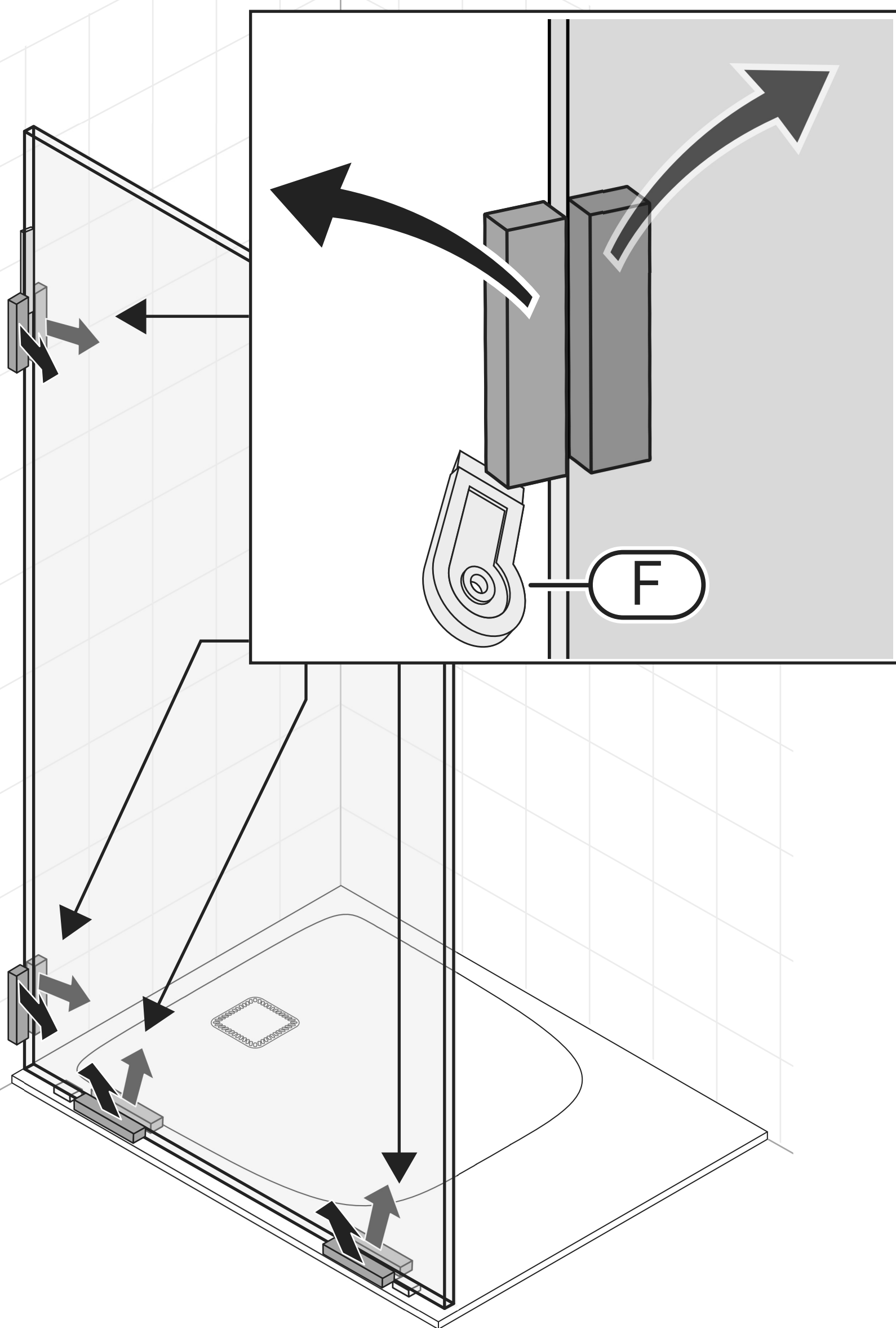
100 mm

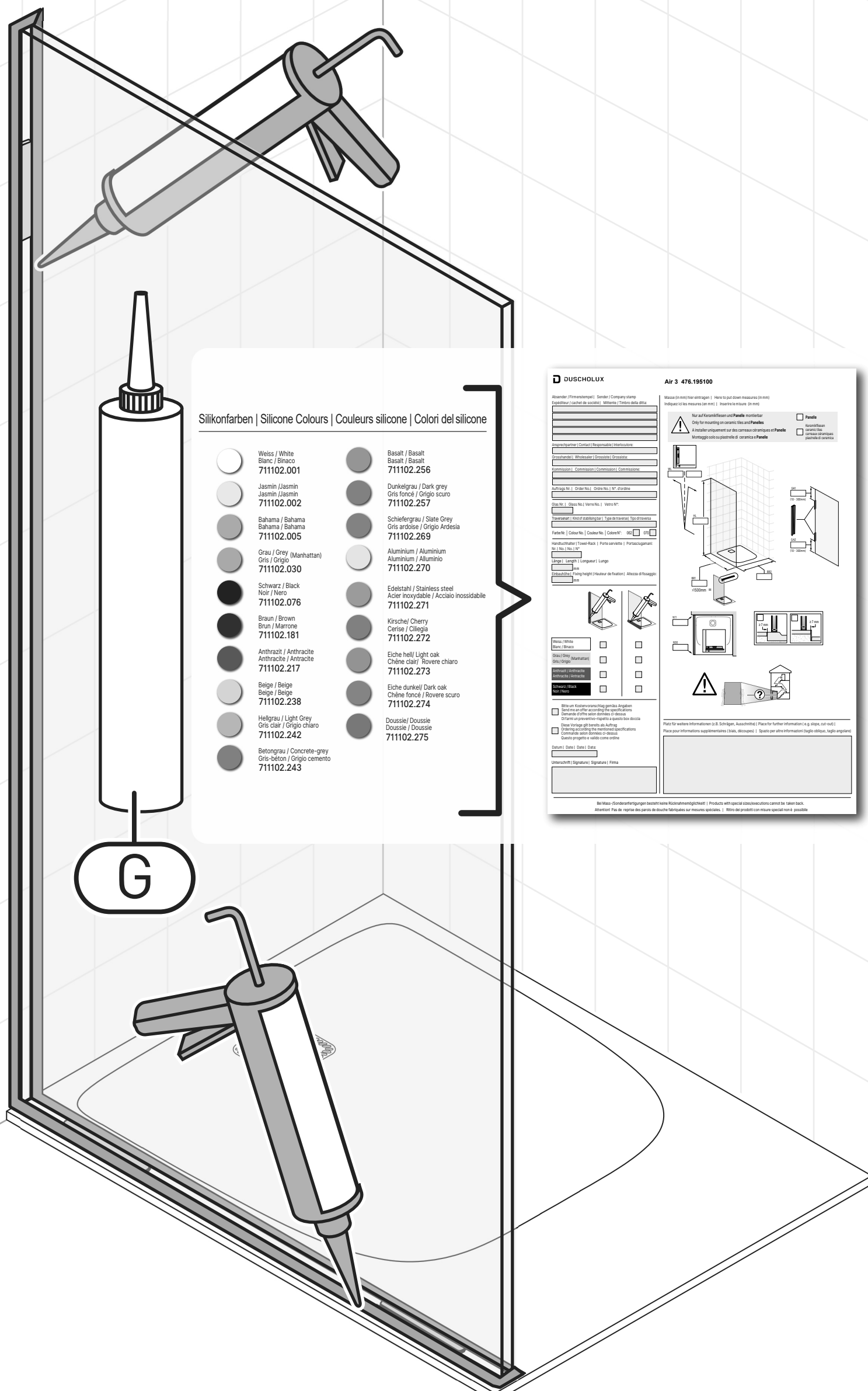
ED/AN 42341/VID - Ausgabe 12/2018 - Version 1.0.0. ©

The inset diagram shows three steps of installation. Step 1 shows the bar being positioned against the wall with dimensions X mm and 100 mm, and labels A and B. Step 2 shows the bar being secured with a screw (labeled A) and a nut (labeled B), with a label C pointing to the bar. Step 3 shows the bar being fully seated against the wall with dimensions 100 mm and X-15mm, and labels A, B, and C. A small detail shows a hole with a diameter of 5.5 mm. The bottom left corner contains the product code and version information.




























Silikonfarben | Silicone Colours | Couleurs silicone | Colori del silicone

- |                                                                                     |                                                                        |                                                                                     |                                                                                      |
|-------------------------------------------------------------------------------------|------------------------------------------------------------------------|-------------------------------------------------------------------------------------|--------------------------------------------------------------------------------------|
|    | Weiss / White<br>Blanc / Bianco<br>711102.001                          |    | Basalt / Basalt<br>Basalt / Basalt<br>711102.256                                     |
|   | Jasmin / Jasmin<br>Jasmin / Jasmin<br>711102.002                       |   | Dunkelgrau / Dark grey<br>Gris foncé / Grigio scuro<br>711102.257                    |
|  | Bahama / Bahama<br>Bahama / Bahama<br>711102.005                       |  | Schiefergrau / Slate Grey<br>Gris ardoise / Grigio Ardesia<br>711102.269             |
|  | Grau / Grey (Manhattan)<br>Gris / Grigio<br>711102.030                 |  | Aluminium / Aluminium<br>Aluminium / Alluminio<br>711102.270                         |
|  | Schwarz / Black<br>Noir / Nero<br>711102.076                           |  | Edelstahl / Stainless steel<br>Acier inoxydable / Acciaio inossidabile<br>711102.271 |
|  | Braun / Brown<br>Brun / Marrone<br>711102.181                          |  | Kirsche / Cherry<br>Cersisa / Ciliegia<br>711102.272                                 |
|  | Anthrazit / Anthracite<br>Antracite / Antracite<br>711102.217          |  | Eiche hell / Light oak<br>Chêne clair / Rovere chiaro<br>711102.273                  |
|  | Beige / Beige<br>Beige / Beige<br>711102.238                           |  | Eiche dunkel / Dark oak<br>Chêne foncé / Rovere scuro<br>711102.274                  |
|  | Helgrau / Light Grey<br>Gris clair / Grigio chiaro<br>711102.242       |  | Doussie / Doussie<br>Doussie / Doussie<br>711102.275                                 |
|  | Betongrau / Concrete-grey<br>Gris-béton / Grigio cemento<br>711102.243 |                                                                                     |                                                                                      |

G

**DUSCHOLUX** Air 3 476.195100

Abnehmer / Firmenstempel / Sender / Company stamp  
 Projektleiter / cachet de société / Mitteln / Timbro della ditta

Ansprechpartner / Contact / Responsable / Interlocutore  
 Ansprechpartner / Wholesaler / Grossista / Grossista  
 Kommission / Commission / Commission / Commissione

Auftrags Nr. / Order No. / Ordre No. / N° d'ordre  
 Glas Nr. / Glass No. / Vetro No. / Vetro N°  
 Treppensart / Kind of railing / Type de travaux / Tipo di rampa  
 Farbe / Color No. / Colore No. / Colore N°:  Weiss  Schwarz  
 Handhablungsart / Hand-Work / Porte servante / Portascopagnani  
 Nr. / No. / N°

Länge / Length / Lunghezza / Lungo  
 Einbauhöhe / Fitting height / Hauteur de fixation / Altezza di fissaggio:  mm

Bitte um Kostenvoranschlag gem. den Angaben  
 Send me offer according the specifications  
 Detachable or offer selon données ci-dessus  
 Di tutti i componenti rispetto al quadro box doccia

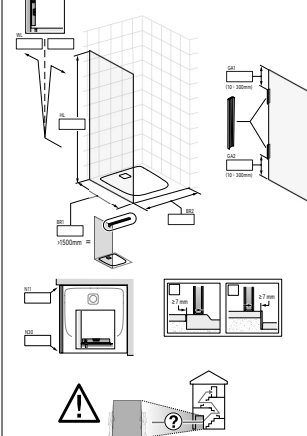
Diese Vorlage gilt bereits als Auftrag  
 Drawing according the mentioned specifications  
 Commande selon données ci-dessus  
 Questo progetto è valido come ordine

Datum / Date / Data:   
 Unterschrift / Signature / Signature / Firma:

Masse (in mm) hier eintragen | Here to put down measures (in mm)  
 Indiquer ici les mesures (en mm) | Inscrire la mesure (in mm)

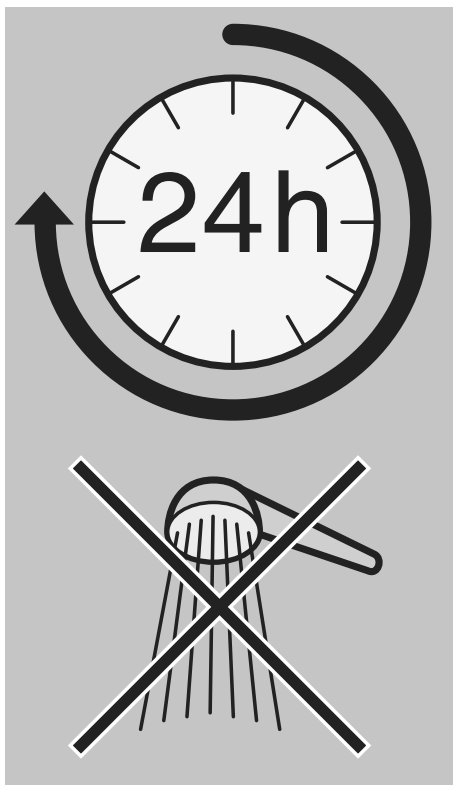
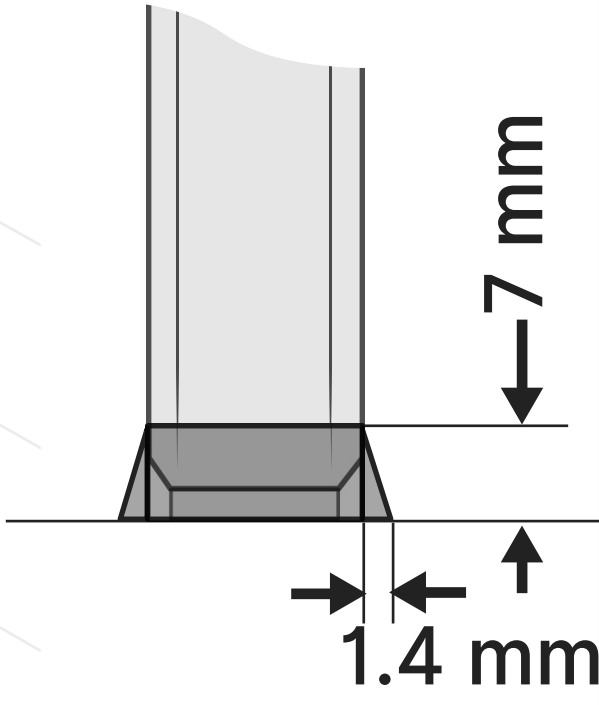
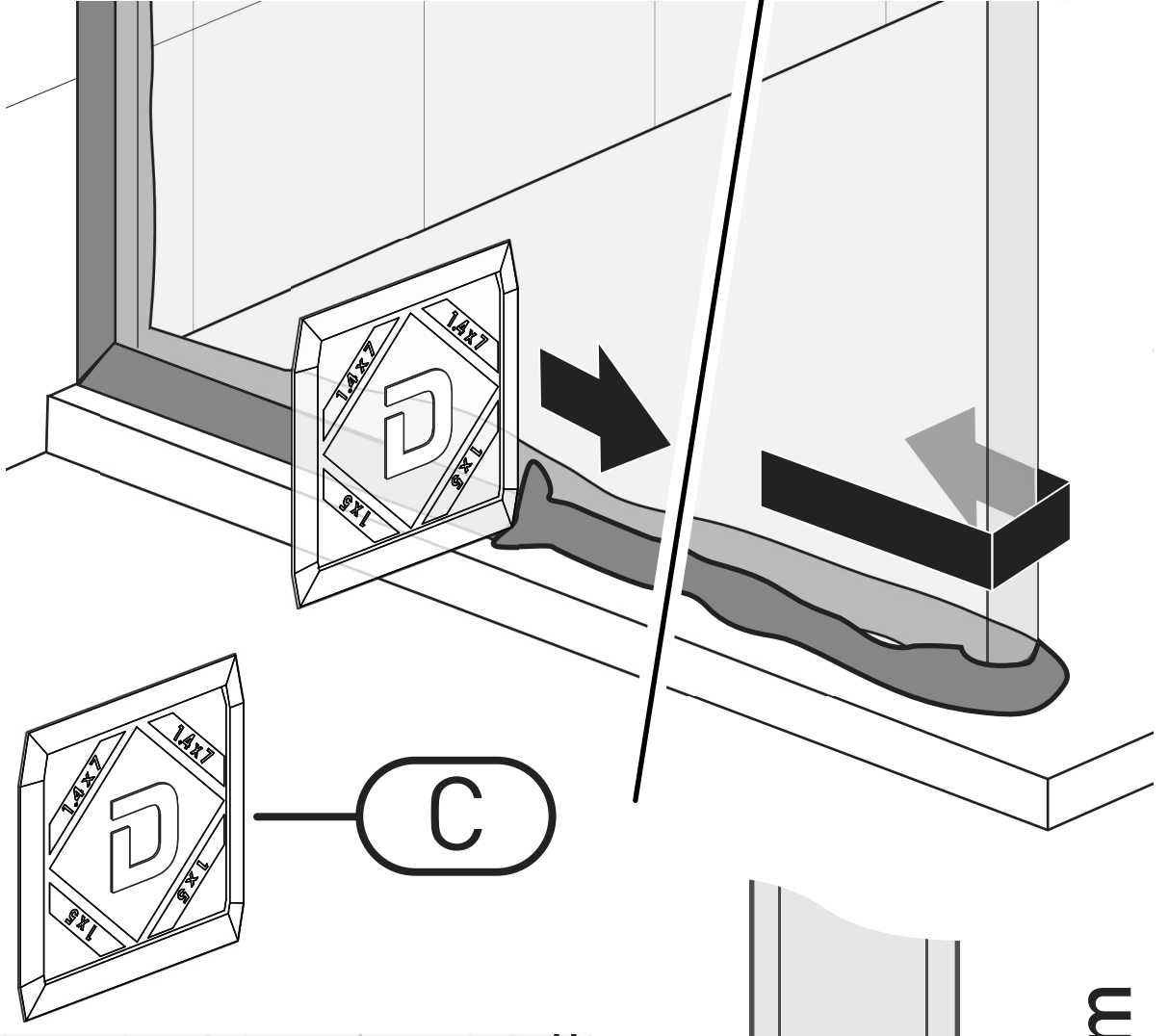
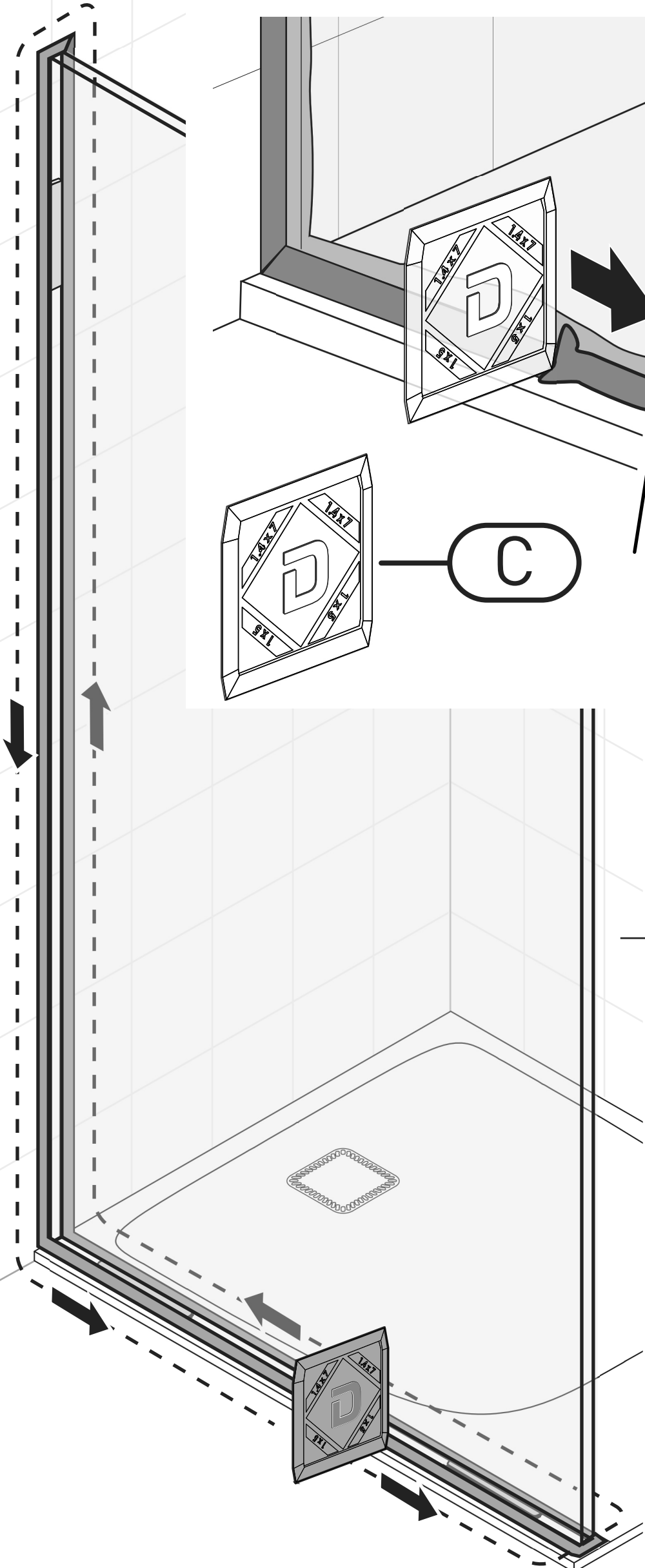
Nur auf Keramikfliesen und Paneele montierbar  
 Only for mounting on ceramic tiles and Panels  
 À installer uniquement sur des carreaux céramiques et Paneele  
 Montaggio solo su piastrelle di ceramica e Paneele

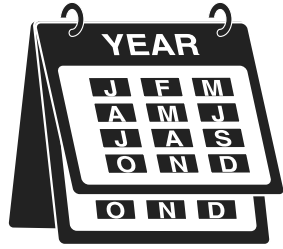
Paneele  
 Keramikfliesen  
 carreaux céramiques  
 piastrelle di ceramica



Platz für weitere Informationen (z.B. Schräge, Ausschritte) | Place for further information (e.g. slope, cut-out)  
 Espace pour informations supplémentaires (travaux, découpages) | Spazio per altre informazioni (taglio obliquo, taglio angolare)

Bei Mass- / Sonderfertigungen besteht keine Rückgabemöglichkeit! | Products with special specifications cannot be taken back.  
 Attention! Pas de reprise des parois de douche fabriquées sur mesures spéciales. | Ritiro dei prodotti con misure speciali non è possibile

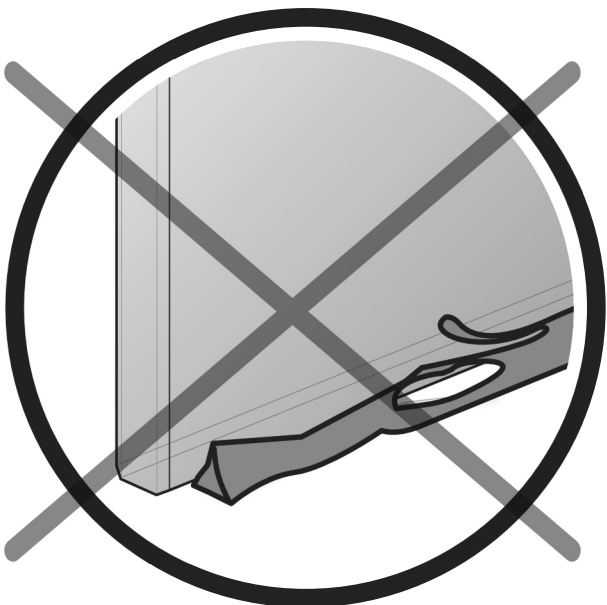
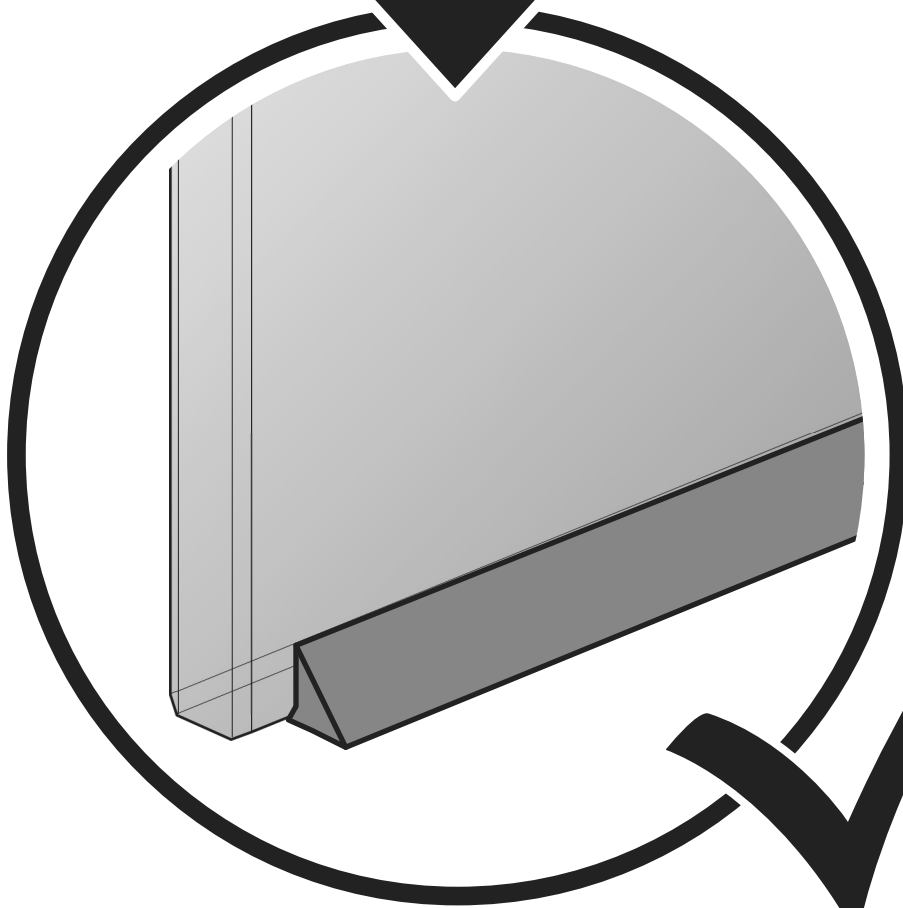
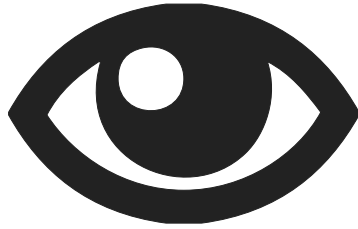




# 2

Jahr  
Year  
Année  
Anno  
Año

Jaar  
Léta  
Roku  
År  
лет



=





